

PARTS MANUAL

HONDA
CB 350

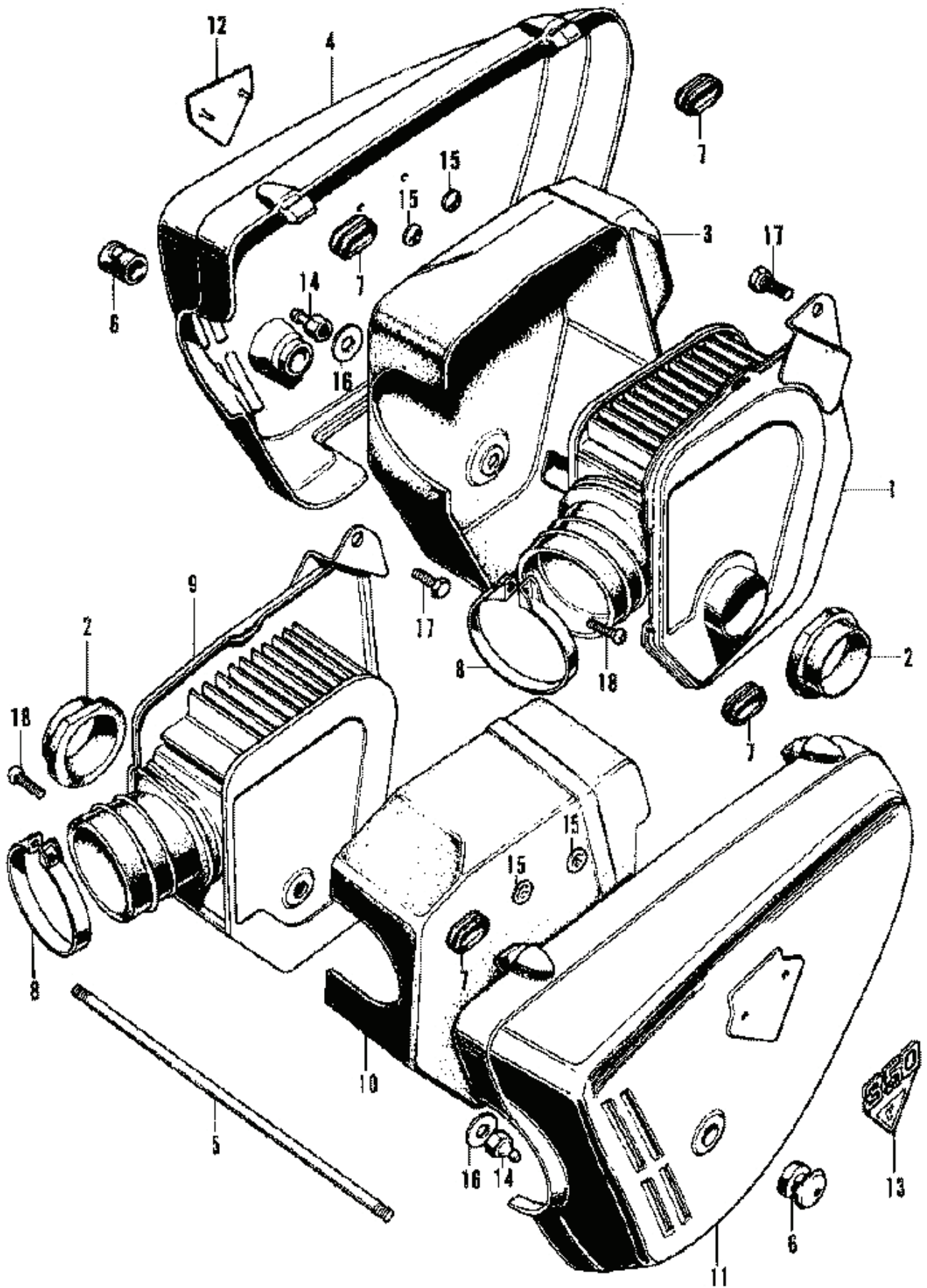


Table of Contents

Page No.

Air Cleaner	1
Alternator / Neutral Switch	3
Battery / Selenoid / Magnetic Switch	5
Brake Pedal / Step / Stand	7
Cam Chain Tensioner	10
Camshaft Valve	12
Carburetor	14
CB Front Forks	16
CB Muffler	19
Clutch	21
Crankshaft	23
Cylinder / Piston	25
Cylinder Head & Spark Plug	27
Cylinder Head Cover & Cam Case	29
Cylinder Head Side Cover & Points Advancer	31
Drivetrain / Case / Swingarm	33
Frame	36
Front Brake & Panel	38
Front Fender	41
Front Wheel & Axle	43
Fuel Tank & Fuel Valve	45
Gearshift Spindle & Change Pedal	47
Handlebar & Top Bridge	49
Headlight & Headlight Case	51
Kickstarter	53
Left Crankcase Cover & Rear Cover	56
Left Handle Switch & Cable	58
Lower Crankcase	60
Oil Filter & Oil Pump	62
Rear Brake Panel	64
Rear Fender & Toolbox	67
Rear Shock Absorber	69
Rear Wheel	71
Right Crankcase Cover	74
Right Handle Switch & Cable	76
Seat	79
Shift Drum & Shift Fork	81
Speedometer & Tachometer	83
Starting Motor	85
Steering Stem	87
Taillight	89
Tools	91
Transmission	93
Turn Signals	96
Upper Crankcase	98
Wire Harness / Ignition Coil & Switch	100

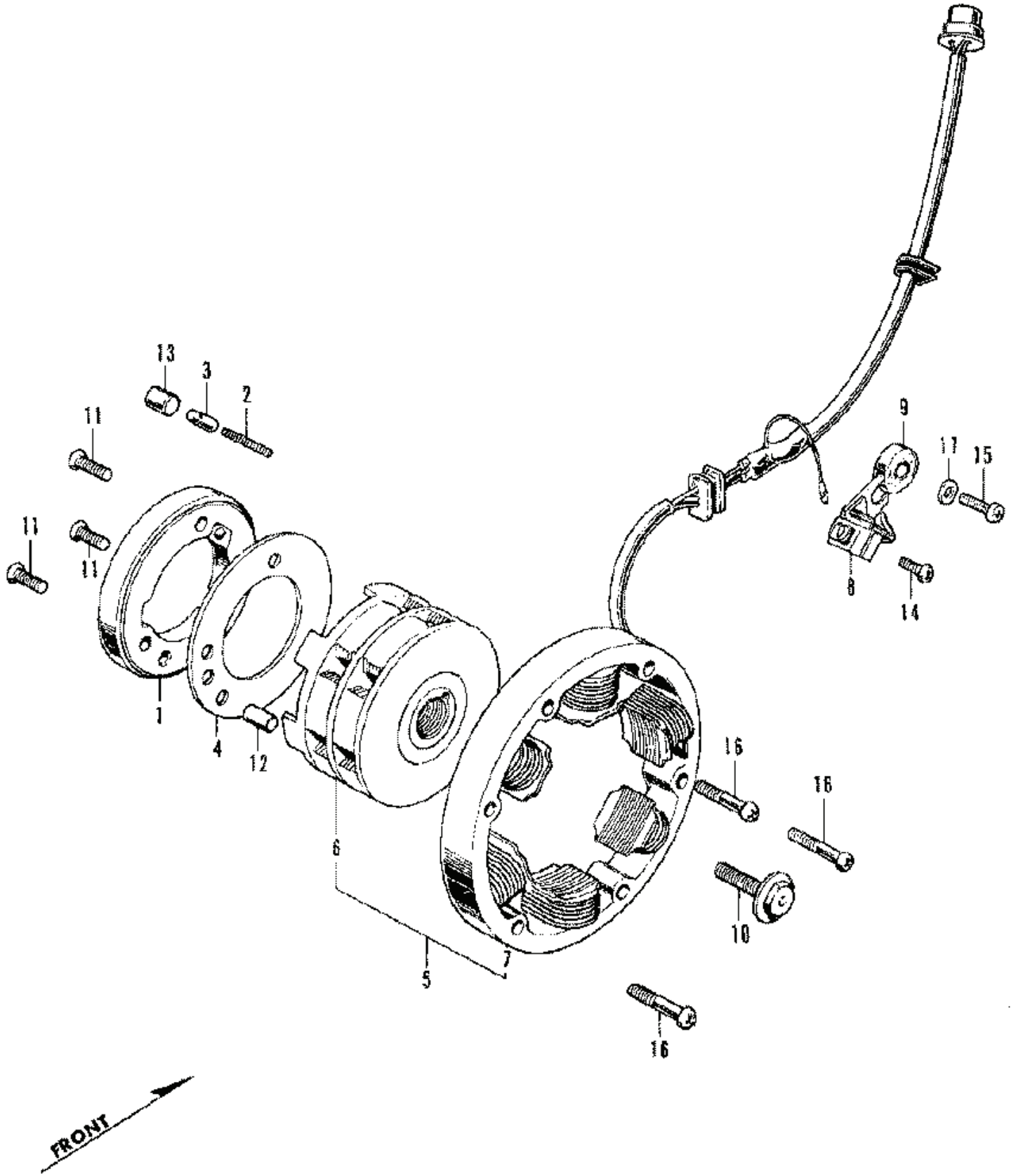
Air Cleaner



Air Cleaner

REF#	PART	#REQ	REMARKS
01	ELEMENT, R. A/CLNR 17210-310-000	001	
02	TUBE 17213-286-000	002	
03	CASE, R. AIR CLEANER 17214-286-610	001	
04	CVR, R. A/CLNR *R25* 17231-344-671HX	001	(LIGHT RUBY RED)
04	COVER, R. *Y2CC* 17231-344-671LX	001	(CANDY GOLD CUSTOM)
04	COVER, R. *G5WC* 17231-344-671LY	001	(CANDY BACCHUS OLIVE CUSTOM)
04	CVR, R. A/CLNR *R27* 17231-344-671MT	001	(GENTLE MAROON)
05	BAR 17240-286-000	001	
06	GROMMET B 17245-292-000	002	
07	GROMMET A 17247-240-000	004	
08	BAND (56) 95018-56200	002	
08	BAND (56) 95018-56200	002	
08	BAND (56) 95018-56200	002	
09	ELEMENT, L. A/CLNR 17310-310-000	001	
10	CASE, L. AIR CLEANER 17313-286-610	001	
11	CVR, L. A/CLNR *R25* 17331-344-671HX	001	(LIGHT RUBY RED)
11	COVER, L. *Y2CC* 17331-344-671LX	001	(CANDY GOLD CUSTOM)
11	COVER, L. *G5WC* 17331-344-671LY	001	(CANDY BACCHUS OLIVE CUSTOM)
11	CVR, L. A/CLNR *R27* 17331-344-671MT	001	(GENTLE MAROON)
12	EMBLEM, R. 87125-344-671	001	
13	EMBLEM, L. 87126-344-671	001	
14	NUT, A/CLNR ELEM 90301-286-000	002	
15	NUT, SPEED (3MM) 90313-567-000	004	
16	WASHER 90546-283-000	002	
17	BOLT, HEX. (6X12) 92101-06012-0A	002	
17	BOLT, HEX. (6X12) 92101-06012-0A	002	
17	BOLT, HEX. (6X12) 92101-06012-0A	002	
18	SCREW, PAN (5X16) 93500-05016-0A	002	

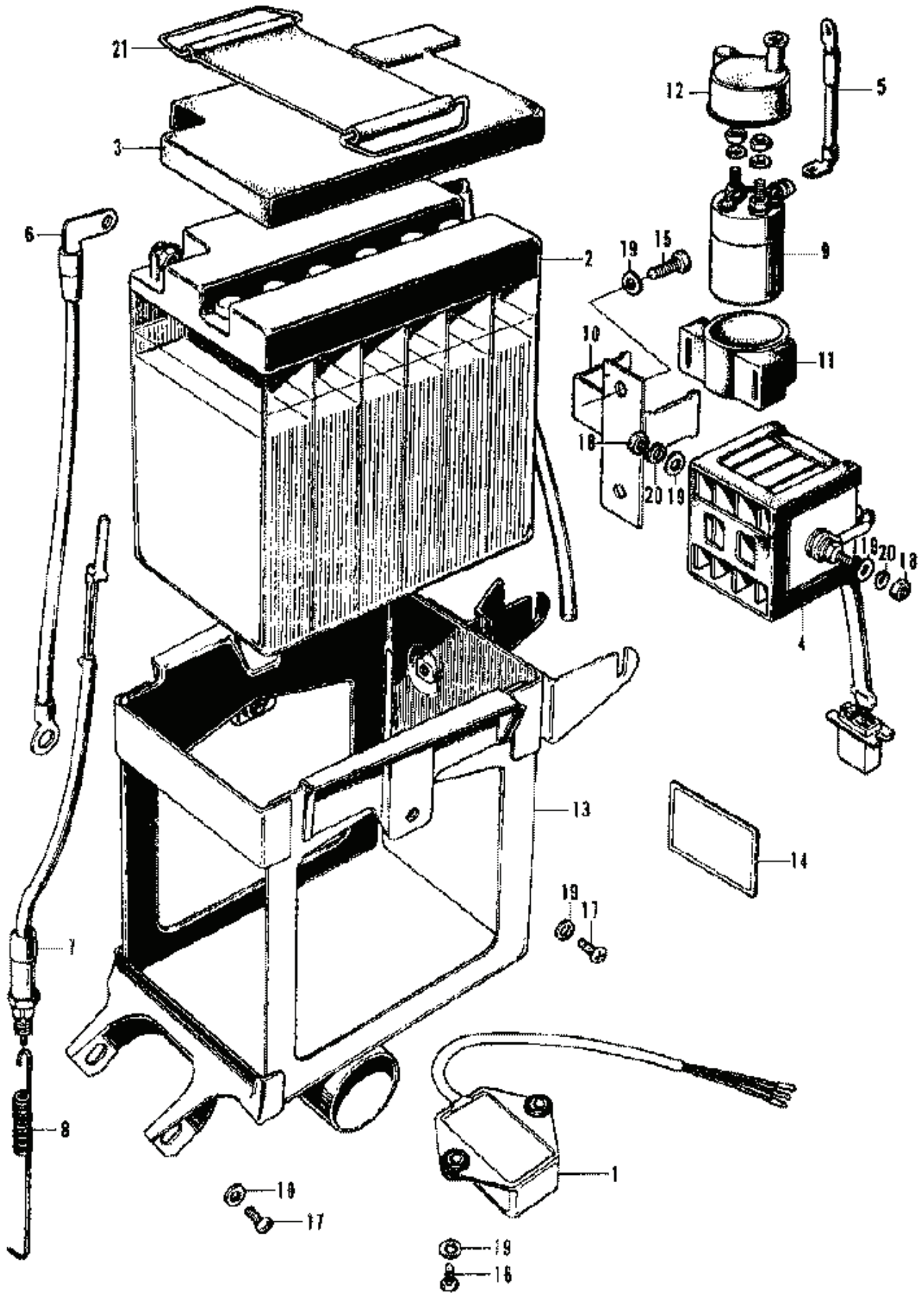
Alternator / Neutral Switch



Alternator / Neutral Switch

REF#	PART	#REQ	REMARKS
01	CLUTCH, STARTER 28120-286-000	001	
02	SPRING 28125-253-020	003	
03	CAP 28126-253-030	003	
04	PLATE 28128-253-030	001	
05	ALTERNATOR ASSY. 31100-286-309	001	
05	ALTERNATOR ASSY. 31100-286-309	001	
06	ROTOR, ALTERNATOR 31101-286-309	001	
06	ROTOR, ALTERNATOR 31101-286-309	001	
07	STATOR 31102-286-014	001	
08	STATOR, SWITCH 35752-286-003	001	
09	ROTOR 35753-286-003	001	
10	BOLT, ROTOR SETTING 90014-286-000	001	
11	SCREW, FLAT (6X25) 90091-286-000	003	
12	PIN, KNOCK (6X17.5) 90704-259-000	001	
13	ROLLER (10.2X11.5) 91101-377-000	003	
13	ROLLER (10.2X11.5) 91101-377-000	003	
14	SCREW, PAN (6X12) 93500-06012-0A	001	
14	SCREW, PAN (6X12) 93500-06012-0A	001	
14	SCREW, PAN (6X12) 93500-06012-0A	001	
15	SCREW, PAN (6X20) 93500-06020-0A	001	
15	SCREW, PAN (6X20) 93500-06020-0A	001	
16	SCREW, PAN (6X28) 93500-06028-0A	003	
16	SCREW, PAN (6X28) 93500-06028-0A	003	
17	WASHER, PLAIN (6MM) 94101-06800	001	
17	WASHER, PLAIN (6MM) 94101-06800	001	
17	WASHER, PLAIN (6MM) 94101-06800	001	

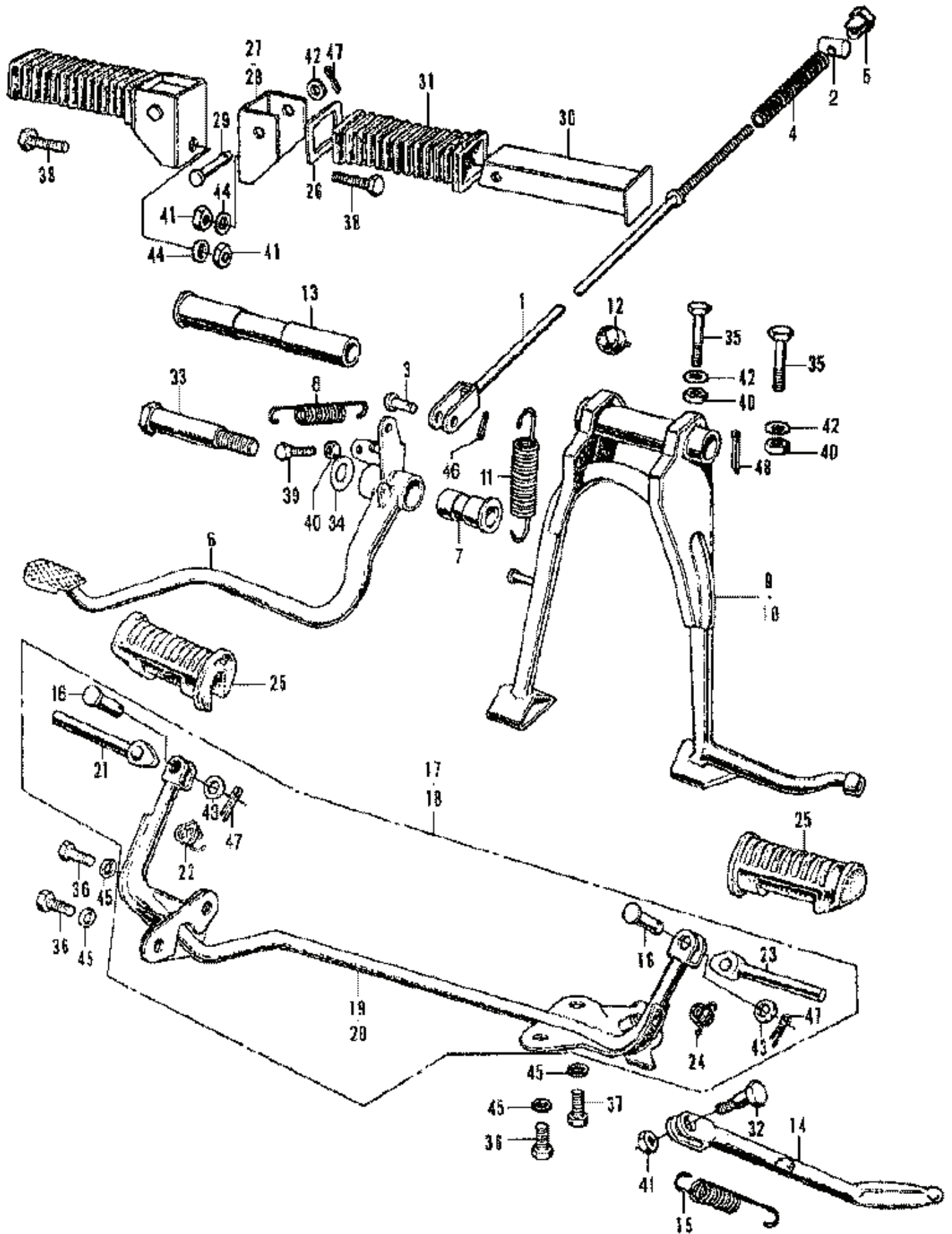
Battery / Selenoid / Magnetic Switch



Battery / Solenoid / Magnetic Switch

REF#	PART	#REQ	REMARKS
01	REGULATOR 31400-292-670	001	
02	BATTERY (12V12) 31500-460-672AH	001	
02	BATTERY (12V12) 31500-460-672AH	001	
02	BATTERY (12V12) 31500-460-672AH	001	
02	BATTERY (12V12) 31500-460-672AH	001	
02	BATTERY (12V12) 31500-460-672AH	001	
03	COVER, BATTERY 31532-292-010	001	
04	RECTIFIER ASSY. 31700-455-671	001	
04	RECTIFIER ASSY. 31700-455-671	001	
05	CABLE 32401-286-010	001	
06	CABLE 32501-286-000	001	
07	SWITCH, RR, STOP 35350-KJ9-405	001	
07	SWITCH, RR, STOP 35350-KJ9-405	001	
07	SWITCH, RR, STOP 35350-KJ9-405	001	
08	SPRING, STOP SWITCH 35357-286-010	001	
09	SW, STARTER MAGNETIC 35850-375-000	001	
09	SW, STARTER MAGNETIC 35850-375-000	001	
10	STAY 35855-286-000	001	
11	RUB, MAGNETIC SHOCK 35856-413-010	001	
11	RUB, MAGNETIC SHOCK 35856-413-010	001	
11	RUB, MAGNETIC SHOCK 35856-413-010	001	
11	RUB, MAGNETIC SHOCK 35856-413-010	001	
12	CVR, MAGNETIC SWITCH 35857-286-000	001	
13	BOX, BATTERY "NH1" 50325-344-000B	001	(BLACK)
13	BOX, BATTERY "NH1" 50325-344-010B	001	(BLACK)
14	MARK 67506-345-670	001	
15	BOLT, HEX. (6X10) 92101-06010-0A	002	
15	BOLT, HEX. (6X10) 92101-06010-0A	002	
16	BOLT, HEX. (6X16) 92101-06016-0A	002	
16	BOLT, HEX. (6X16) 92101-06016-0A	002	
16	BOLT, HEX. (6X16) 92101-06016-0A	002	
16	BOLT, HEX. (6X16) 92101-06016-0A	002	
16	BOLT, HEX. (6X16) 92101-06016-0A	002	
16	BOLT, HEX. (6X16) 92101-06016-0A	002	
16	BOLT, HEX. (6X16) 92101-06016-0A	002	
16	BOLT, HEX. (6X16) 92101-06016-0A	002	
17	SCREW, PAN (6X10) 93500-06010	004	
18	NUT, HEX. (6MM) 94001-06200-0S	002	
18	NUT, HEX. (6MM) 94001-06200-0S	002	
18	NUT, HEX. (6MM) 94001-06200-0S	002	
18	NUT, HEX. (6MM) 94001-06200-0S	002	
18	NUT, HEX. (6MM) 94001-06200-0S	002	
18	NUT, HEX. (6MM) 94001-06200-0S	002	
18	NUT, HEX. (6MM) 94001-06200-0S	002	
18	NUT, HEX. (6MM) 94001-06200-0S	002	
18	NUT, HEX. (6MM) 94001-06200-0S	002	
19	WASHER, PLAIN (6MM) 94101-06800	004	
19	WASHER, PLAIN (6MM) 94101-06800	004	
19	WASHER, PLAIN (6MM) 94101-06800	004	
20	WASHER, SPRING (6MM) 94111-06000	002	
21	BAND E, BATTERY 95012-16001	001	
21	BAND E, BATTERY 95012-16001	001	

Brake Pedal / Step / Stand



Brake Pedal / Step / Stand (page.1)

REF#	PART	#REQ	REMARKS
01	ROD, RR, BRAKE 43451-286-010	001	
02	JOINT B, BRAKE ARM 95015-32001	001	
02	JOINT B, BRAKE ARM 95015-32001	001	
03	PIN B 95015-52000	001	
05	NUT B 95015-42000	001	
06	PEDAL, BRAKE 46500-317-670	001	
07	COLLAR, BRAKE PEDAL 46506-286-000	001	
08	SPRING, BRAKE PEDAL 46514-286-020	001	
09	STAND, MAIN *NH1* 50500-286-000B	001	(BLACK)
10	STAND, MAIN *NH1* 50500-290-000B	001	(BLACK)
11	SPRING F, MAIN STAND 95014-71601	001	
11	SPRING F, MAIN STAND 95014-71601	001	
11	SPRING F, MAIN STAND 95014-71602	001	
13	SHAFT 50526-399-000	001	
13	SHAFT 50526-399-000	001	
14	BAR, SIDE STAND 50530-341-670	001	
14	BAR, SIDE STAND 50530-341-670	001	
14	BAR, SIDE STAND 50530-341-670	001	
14	BAR, SIDE STAND 50530-341-670	001	
15	SPRING D, SIDE STAND 95014-72402	001	
15	SPRING D, SIDE STAND 95014-72402	001	
16	PIN, STEP BAR JOINT 50603-033-010	002	
16	PIN, STEP BAR JOINT 50603-033-010	002	
19	BAR, STEP *NH1* 50615-317-670B	001	(BLACK)
21	ARM, R, STEP 50616-310-000	001	
22	SPRING, R 50617-283-000	001	
23	ARM, L, STEP 50642-310-000	001	
24	SPRING, L 50644-283-000	001	
25	RUBBER, STEP 50661-310-000	002	
26	WASHER, FOOTPEG 95015-91000	002	
27	ARM, R, STEP *NH1* 50616-283-020B	002	(BLACK)
27	BRKT B, PILLION STEP 95015-72100	002	
27	BRKT B, PILLION STEP 95015-72100	002	
29	PIN B, PILLION STEP 95015-82000	002	
30	BAR B, PILLION STEP 95015-62000	002	
31	RUBBER, PILLION STEP 95011-31000	002	
32	SCREW 90108-283-000	001	
33	BOLT, RR 90128-286-000	001	
34	WASHER (14X26) 90527-634-670	001	
34	WASHER (14X26) 90527-634-670	001	
35	BOLT, HEX (6X38) 92000-06038	002	
36	BOLT, HEX (8X20) 92101-08020-0A	003	
36	BOLT, HEX (8X20)	003	

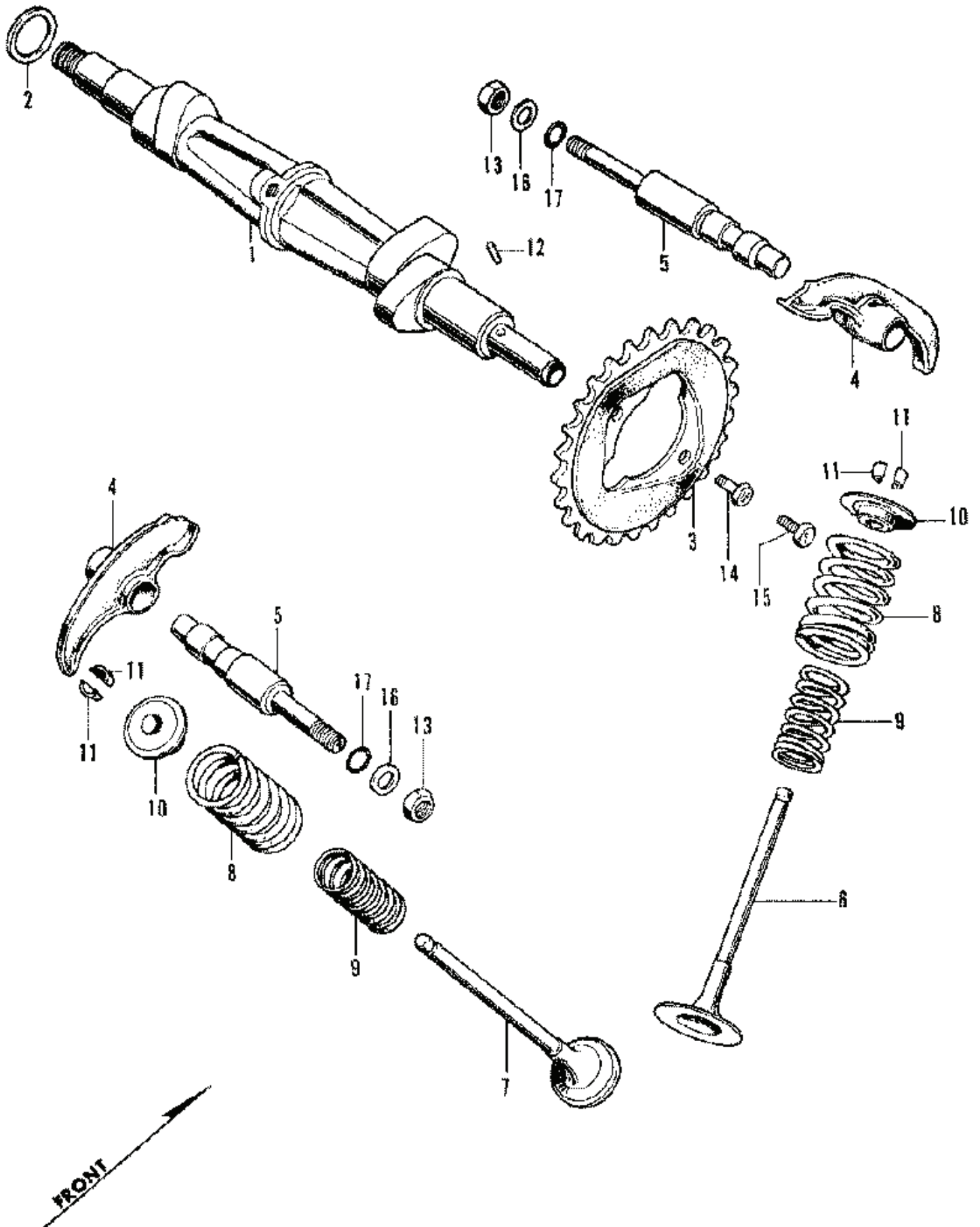
Brake Pedal / Step / Stand (page.2)

37	BOLT, HEX. (8X25) 92101-08025-0A	001
37	BOLT, HEX. (8X25) 92101-08025-0A	001
38	BOLT, HEX. (10X25) 92101-10025-0A	002
38	BOLT, HEX. (10X25) 92101-10025-0A	002
39	BOLT, HEX. (6X20) 92020-06020	001
40	NUT, HEX. (6MM) 94001-06200-0S	003
40	NUT, HEX. (6MM) 94001-06200-0S	003
40	NUT, HEX. (6MM) 94001-06200-0S	003
40	NUT, HEX. (6MM) 94001-06200-0S	003
40	NUT, HEX. (6MM) 94001-06200-0S	003
40	NUT, HEX. (6MM) 94001-06200-0S	003
40	NUT, HEX. (6MM) 94001-06200-0S	003
40	NUT, HEX. (6MM) 94001-06200-0S	003
41	NUT, HEX. (10MM) 94001-10000-0S	003
42	WASHER, PLAIN (6MM) 94101-06800	004
42	WASHER, PLAIN (6MM) 94101-06800	004
42	WASHER, PLAIN (6MM) 94101-06800	004
43	WASHER, PLAIN (8MM) 94101-08000	002
44	WASHER, PLAIN (10MM) 94101-10000	002
45	WASHER, SPRING (8MM) 94111-08000	004
46	PIN, SPLIT (1.6X12) 94201-16120	001
47	PIN, COTTER (1.6X25) 94201-16250	004
47	PIN, COTTER (1.6X25) 94201-16250	004
48	PIN, SPLIT (2.5X30) 94201-25300	001

Cam Chain Tensioner

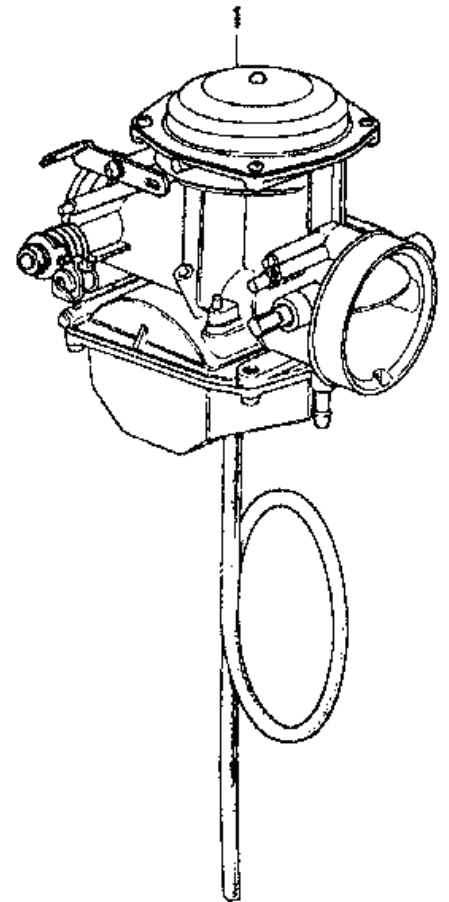
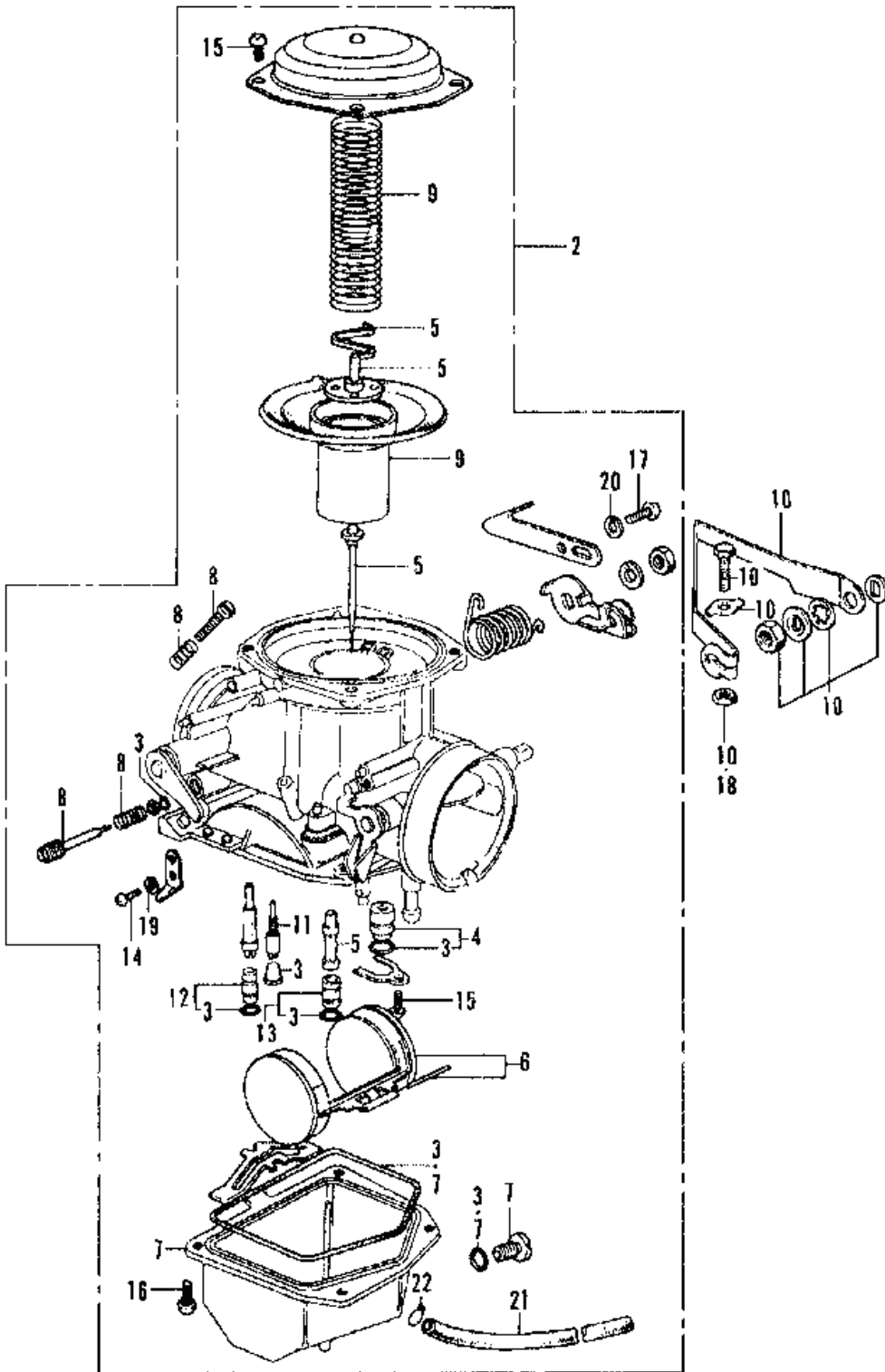
REF#	PART	#REQ	REMARKS
01	CHAIN, CAM 14401-410-003	001	
01	CHAIN, CAM 14401-410-003	001	
02	TENSIONER, CAM CHAIN 14500-312-000	001	
03	HOLDER 14530-286-040	001	
04	SPRING 14541-286-040	001	
05	BAR 14550-286-000	001	
06	GASKET 14592-286-306	001	
07	ROLLER 14601-312-000	001	
08	PIN 14605-286-020	001	
09	COLLAR 14606-286-000	001	
10	RUBBER 14607-286-000	002	
11	GUIDE, CAM CHAIN 14611-312-000	001	
12	PIN, CAM CHAIN GUIDE 14612-286-000	001	
13	BOLT 90016-286-000	001	
14	O-RING (6X1.7) 91317-171-003	001	
14	O-RING (6X1.7) 91317-171-003	001	
15	BOLT, HEX. (6X25) 92101-06025-0A	002	
15	BOLT, HEX. (6X25) 92101-06025-0A	002	
15	BOLT, FLANGE (6X25) 95701-06025-00	002	
15	BOLT, FLANGE (6X25) 95701-06025-00	002	
15	BOLT, FLANGE (6X25) 95701-06025-00	002	
15	BOLT, FLANGE (6X25) 95701-06025-00	002	
16	BOLT, HEX. (6X35) 92201-06035-0A	002	
16	BOLT, HEX. (6X35) 92201-06035-0A	002	
16	BOLT, HEX. (6X35) 92201-06035-0A	002	
16	BOLT, FLANGE (6X35) 95701-06035-00	002	
16	BOLT, FLANGE (6X35) 95701-06035-00	002	
16	BOLT, FLANGE (6X35) 95701-06035-00	002	
17	NUT, HEX. (8MM) 94002-08000-0S	001	
18	WASHER, PLAIN (6MM) 94101-06800	001	
18	WASHER, PLAIN (6MM) 94101-06800	005	
18	WASHER, PLAIN (6MM) 94101-06800	005	
18	WASHER, PLAIN (6MM) 94101-06800	001	
18	WASHER, PLAIN (6MM) 94101-06800	001	
18	WASHER, PLAIN (6MM) 94101-06800	005	
19	CHAIN KIT, CAM 06141-286-000	001	

Camshaft Valve



Camshaft Valve

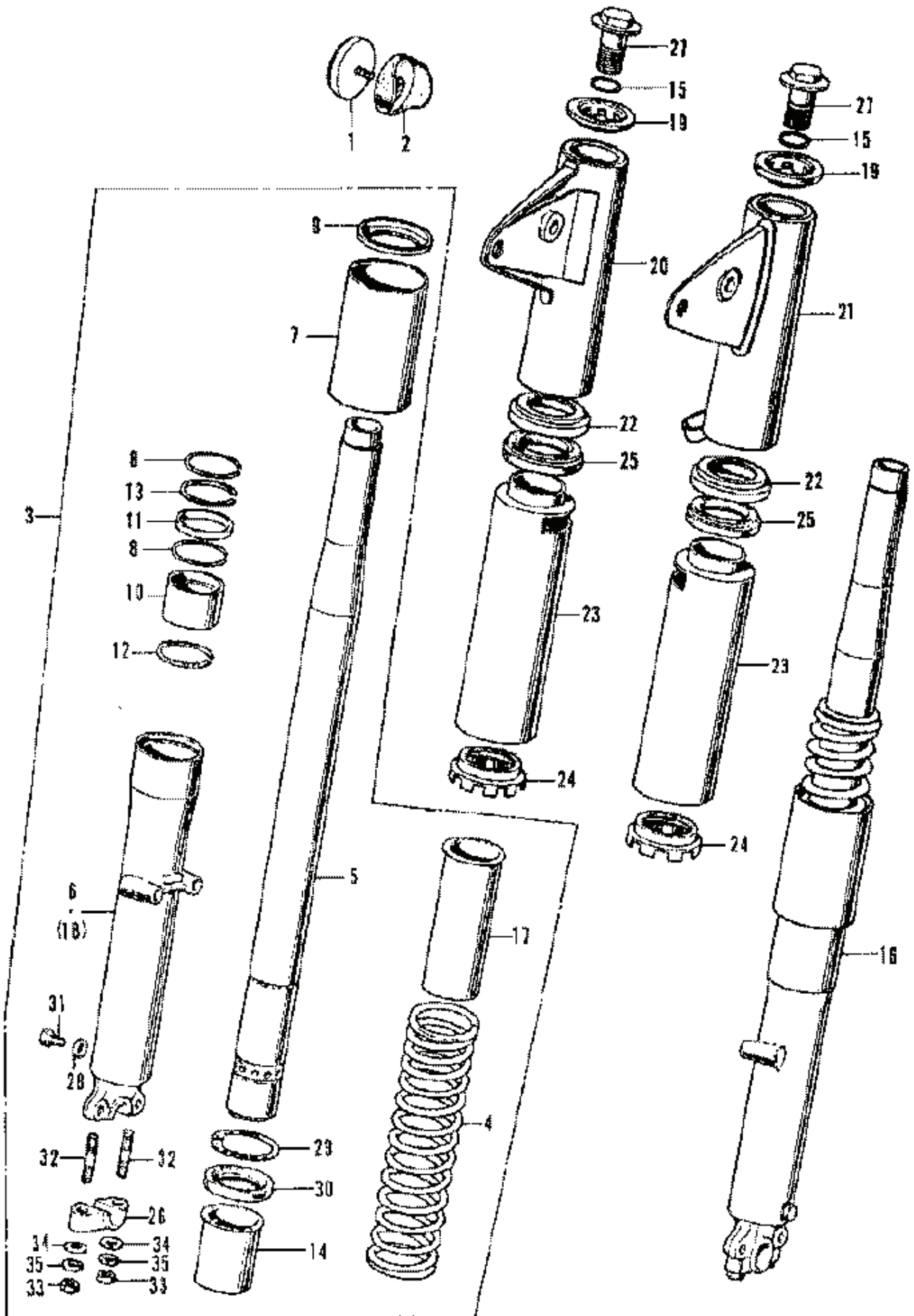
REF#	PART	#REQ	REMARKS
01	CAMSHAFT 14101-286-070	001	
01	CAMSHAFT 14101-286-070	001	
02	SPACER (0.1MM) 14294-283-000	AR	
02	SPACER (0.2MM) 14295-283-000	AR	
03	SPROCKET, CAM (34T) 14321-312-010	001	
04	ARM, VALVE ROCKER 14431-312-010	004	
05	PIN 14461-286-010	004	
06	VALVE, IN. 14711-286-030	002	
07	VALVE, EX. 14721-286-305	002	
07	VALVE, EX. 14721-286-305	002	
08	SPRING, VALVE 14751-286-000	004	
09	SPRING, VALVE 14761-286-020	004	
10	RETAINER, VLV SPR 14771-369-010	004	
10	RETAINER, VLV SPR 14771-369-010	004	
10	RETAINER, VLV SPR 14771-369-010	004	
11	COTTER, VALVE 14781-286-020	008	
12	PIN (3X5.2) 30905-216-000	001	
13	NUT A 90011-286-000	004	
14	BOLT, KNOCK (6X14) 90081-312-000	001	
15	BOLT, HEX. (6X14) 90085-312-000	001	
16	WASHER (8MM) 90451-KAF-000	004	
16	WASHER (8MM) 90451-KAF-000	004	
17	O-RING (7.7X2.3) 91301-PC9-003	004	
17	O-RING (7.7X2.3) 91301-PC9-003	004	



Carburetor

REF#	PART	#REQ	REMARKS
01	CARBURETOR ASSY., R. 16101-344-690	001	
02	CARBURETOR ASSY., L. 16102-344-690	001	
03	GASKET SET 16010-344-305	001	
03	GASKET SET 16010-344-305	001	
04	VALVE SET, FLOAT 16011-287-004	002	
05	NEEDLE SET, JET 16012-344-004	002	
06	FLOAT SET 16013-286-014	002	
07	CHAMBER SET, FLOAT 16015-286-004	002	
08	SCREW SET A 16016-344-690	002	
09	PISTON SET, VACUUM 16022-287-024	002	
10	JOINT SET, CONNECTOR 16025-286-004	001	
11	JET, SLOW (#35) 99124-286-0351	002	
11	JET, SLOW (#38) 99124-286-0381	002	
12	JET SET, MAIN (#60) 99201-601-0600	002	
12	JET SET, MAIN (#65) 99201-601-0650	002	
12	JET SET, MAIN (#68) 99201-601-0680	002	
12	JET SET, MAIN (#70) 99201-601-0700	002	
12	JET SET, MAIN (#72) 99201-601-0720	002	
13	JET SET (#98) 99202-601-0980	002	
13	JET SET (#100) 99202-601-1000	002	
13	JET SET (#105) 99202-601-1050	002	
13	JET SET (#110) 99202-601-1100	002	
14	SCREW, PAN (3X7) 93500-03007-0A	001	
15	SCREW, PAN (4X8) 93500-04008-0A	010	
16	SCREW, PAN (4X10) 93500-04010-0A	008	
17	SCREW, PAN (5X12) 93500-05012-0A	002	
18	NUT, HEX. (5MM) 94001-05000-0S	001	
19	WASHER, SPRING (3MM) 94111-03000	001	
20	WASHER, SPRING (5MM) 94111-05000	002	
21	BULK HOSE (3.5X3000) 95001-35003-60M	002	
22	CLIP, TUBE (B7) 95002-02070	002	

CB Front Forks



CB Front Forks (page.1)

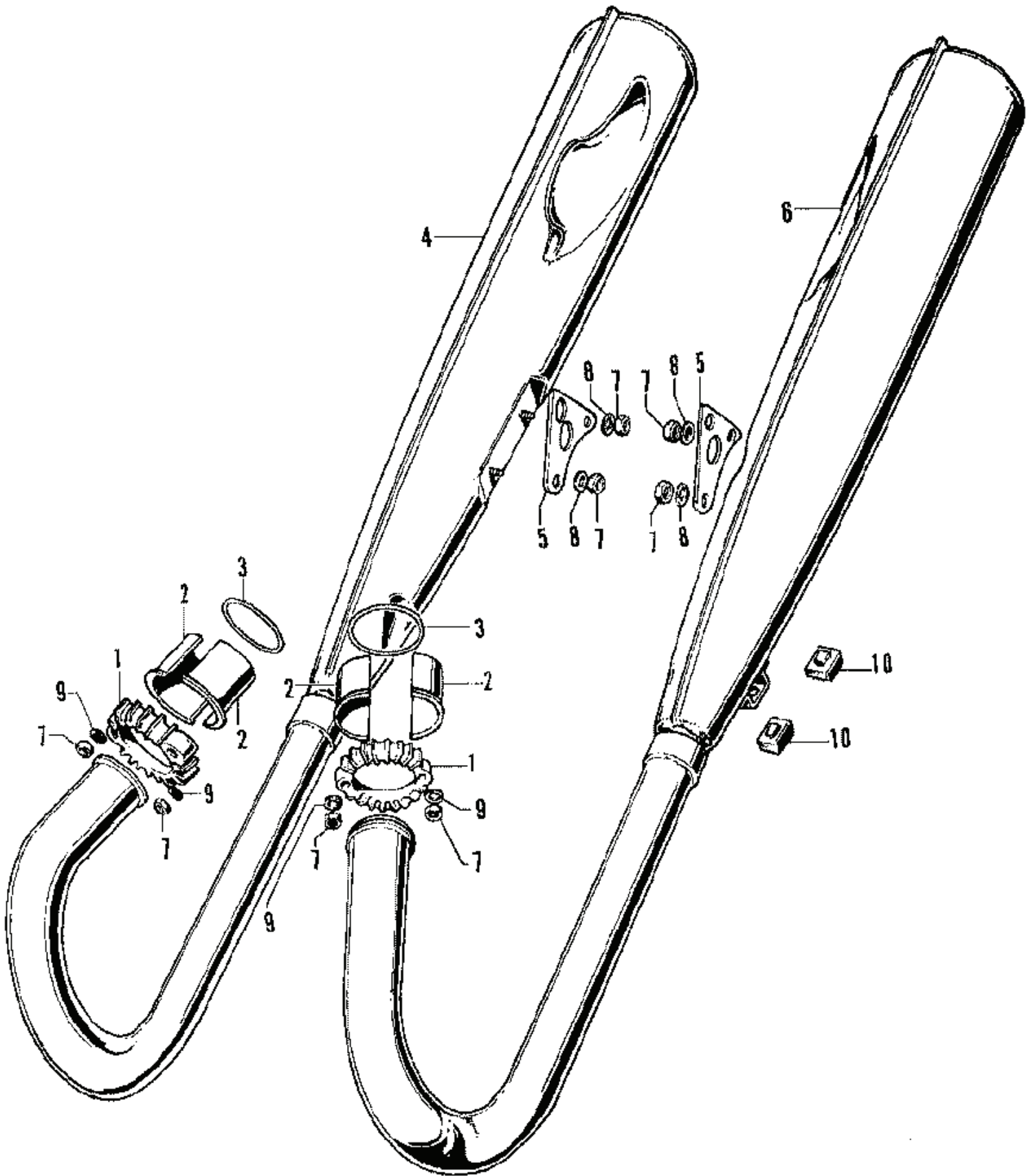
REF#	PART	#REQ	REMARKS
01	REFLECTOR, FR. 33741-340-670	002	
02	BASE, FR. 33743-341-670	002	
03	FORK ASSY., R. FR. 51400-344-670	001	
04	SPRING, FR. FORK 51401-317-701	002	
05	COVER, CASE (LOWER) 51402-333-000	002	
06	PIPE, FR. FORK 51410-317-700	002	
07	NUT, LOCK 51413-317-700	002	
08	CASE, R. FR. FORK 51421-333-000	001	
09	DAMPER 51430-344-000	002	
10	SEAT, RR. 51461-317-701	002	
11	FORK ASSY., L. FR. 51500-344-670	001	
12	CASE, L. FR. FORK 51521-333-000	001	
13	RUBBER A, FORK COVER 51601-317-700	002	
14	COVER, R. FR. *R25* 51602-344-670HX	001	(LIGHT RUBY RED)
14	COVER, R. FR. *Y2CC* 51602-344-670LX	001	(CANDY GOLD CUSTOM)
14	COVER, R. FR. *G5WC* 51602-344-670LY	001	(CANDY BACCHUS OLIVE CUSTOM)
14	COVER, R. FR. *R27* 51602-344-670MT	001	(GENTLE MAROON)
14	COVER, R. FR. FORK 51602-344-670Z	001	
15	COVER, L. FR. *R25* 51606-344-670HX	001	(LIGHT RUBY RED)
15	COVER, L. FR. *Y2CC* 51606-344-670LX	001	(CANDY GOLD CUSTOM)
15	COVER, L. FR. *G5WC* 51606-344-670LY	001	(CANDY BACCHUS OLIVE CUSTOM)
15	COVER, L. FR. *R27* 51606-344-670MT	001	(GENTLE MAROON)
15	COVER, L. FR. FORK 51606-344-670Z	001	
16	RIB, FR. FORK 51608-286-010	002	
17	COVER, R. FR. *R25* 51611-344-670HX	002	(LIGHT RUBY RED)
17	CVR, FR. FORK *Y2CC* 51611-344-670LX	002	(CANDY GOLD CUSTOM)
17	COVER, R. FR. *G5WC* 51611-344-670LY	002	(CANDY BACCHUS OLIVE CUSTOM)
17	CVR, FR. FORK *R27* 51611-344-670MT	002	(GENTLE MAROON)
17	COVER, FR. FORK 51611-344-670Z	002	

CB Front Forks (page.2)

- Page 18 -

18	RUBBER B, FR. 51622-286-010	002
19	BOLT, SOCKET (8X27) 90116-383-721	002
19	BOLT, SOCKET (8X27) 90116-383-721	002
20	BOLT, FR. FORK 90123-317-700	002
21	GASKET, FR. 90543-273-000	002
22	WASHER (8MM) 90544-283-000	002
23	DUST SEAL (33X47X10) 91254-333-010	002
24	OIL SEAL 91255-312-003	002
25	BOLT, HEX. (6X8) 92101-06008-0A	002
25	BOLT, HEX. (6X8) 92101-06008-0A	002
25	BOLT, HEX. (6X8) 92101-06008-0A	002
26	BOLT, STUD (8X50) 92900-08028-3B	004
26	BOLT, STUD (8X50) 92900-08028-3B	004
26	BOLT, STUD (8X50) 92900-08028-3B	004
27	NUT, HEX. (8MM) 94030-08000	004
28	WASHER, PLAIN (8MM) 94101-08000	004
29	WASHER, SPRING (8MM) 94111-08000	004
30	CIRCLIP (47MM) 94521-47000	002
31	O-RING (23X2.4) 94608-30000	002
32	HOLDER 1C, FR. 95014-41000	002

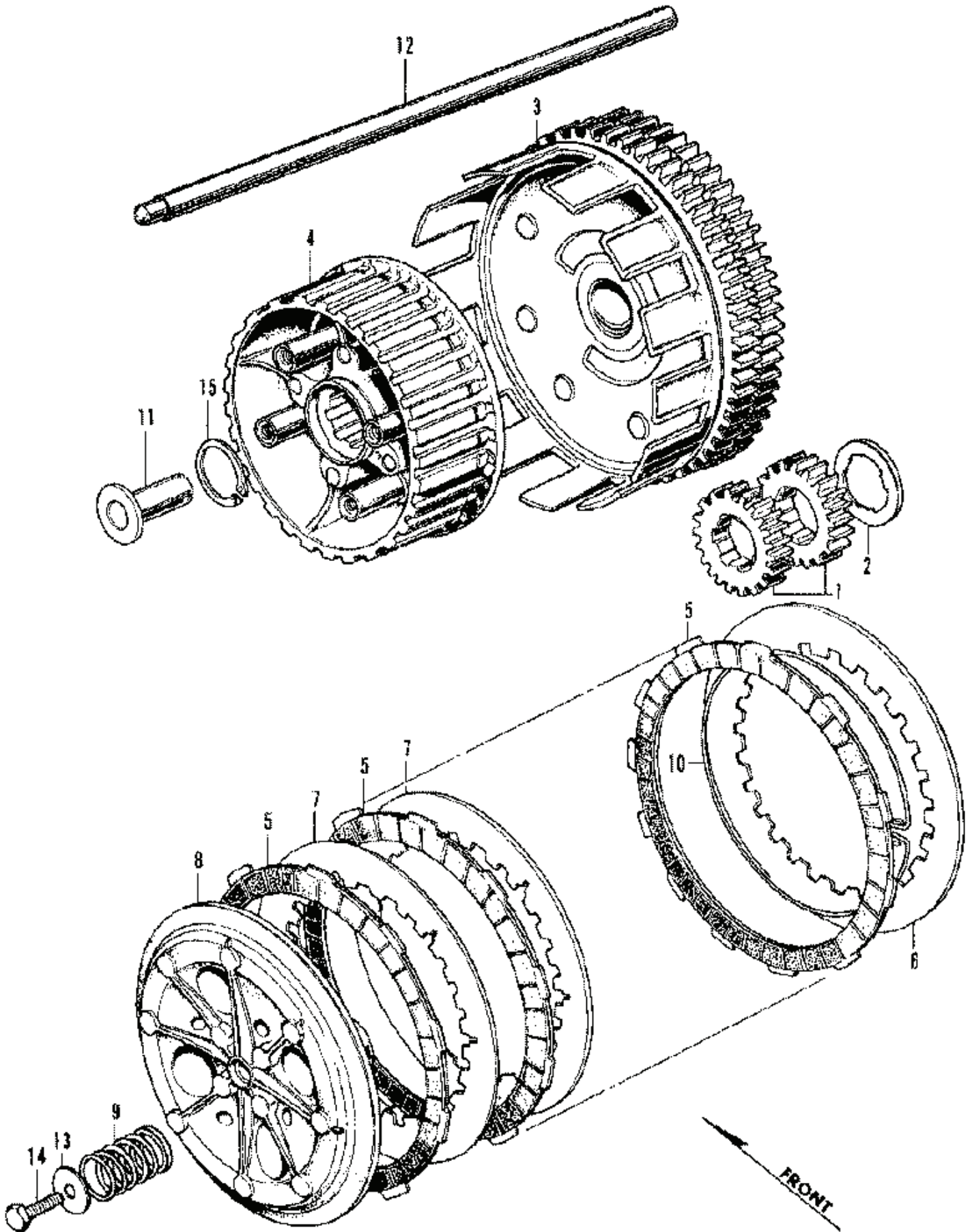
CB Muffler



CB Muffler

REF#	PART	#REQ	REMARKS
01	JOINT, EX. PIPE 18231-312-000	002	
02	COLR, EX. PIPE JOINT 18233-318-000	004	
03	GASKET, EX. PIPE 18291-286-306	002	
03	GASKET, EX. PIPE 18291-286-306	002	
04	MUFFLER, R. EX. 18300-344-677	001	
04	MUFFLER, R. EX. 18300-344-677	001	
05	BRKT, MUFFLER *NH1* 18353-286-020B	002	(BLACK)
06	MUFFLER, L. EX. 18400-344-677	001	
06	MUFFLER, L. EX. 18400-344-677	001	
06	MUFFLER, L. EX. 18400-344-677	001	
07	NUT, HEX. (8MM) 94001-08000-0S	008	
08	WASHER, PLAIN (8MM) 94101-08000	004	
09	WASHER, SPRING (8MM) 94111-08000	004	
10	RUBBER A 95011-61000	002	

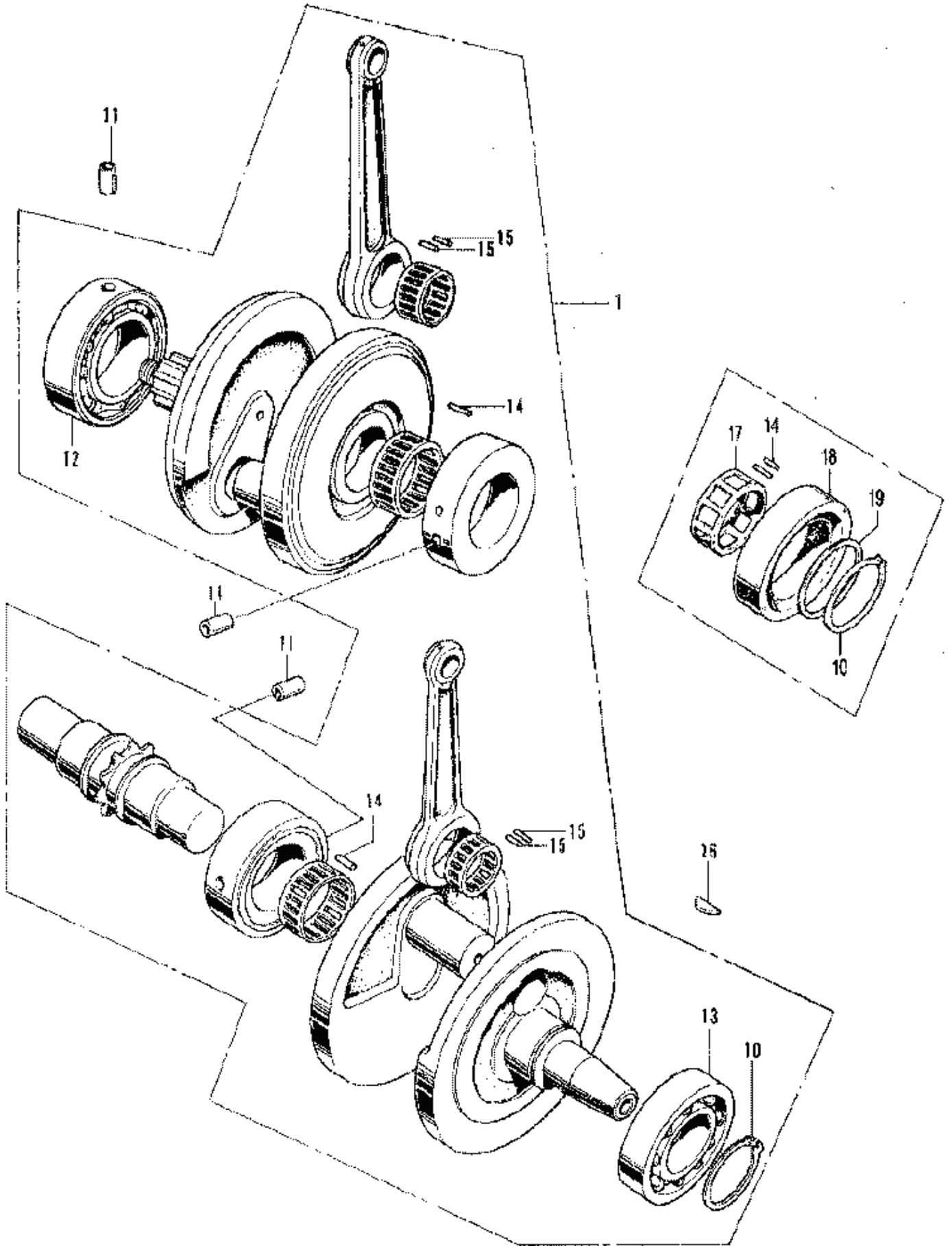
Clutch



Clutch

REF#	PART	#REQ	REMARKS
01	GEAR (21T) 13611-286-020	001	
02	SPACER 13621-286-010	001	
03	CLUTCH (OUTER) (78T) 22100-286-060	001	
04	CENTER, CLUTCH 22120-369-305	001	
04	CENTER, CLUTCH 22120-369-305	001	
05	DISK, CL FRICTION 22201-286-010	008	
06	PLATE A, CLUTCH 22311-286-000	001	
07	PLATE B, CLUTCH 22321-KA4-700	007	
07	PLATE B, CLUTCH 22321-KA4-700	007	
07	PLATE B, CLUTCH 22321-KA4-700	007	
08	PLATE, CLU PRESS 22350-329-000	001	
08	PLATE, CLU PRESS 22350-329-000	001	
09	SPRING, CLUTCH 22401-323-003	004	
09	SPRING, CLUTCH 22401-323-003	004	
09	SPRING, CLUTCH 22401-323-003	004	
10	RING 22431-259-000	001	
11	PIECE 22838-286-000	001	
12	ROD, CLUTCH LIFTER 22850-286-020	001	
13	WASHER (6X19) 90481-259-000	004	
14	BOLT, HEX. (6X20) 92101-06020-0A	004	
14	BOLT, HEX. (6X20) 92101-06020-0A	004	
15	CIRCLIP (25MM) 94510-25150	001	

Crankshaft

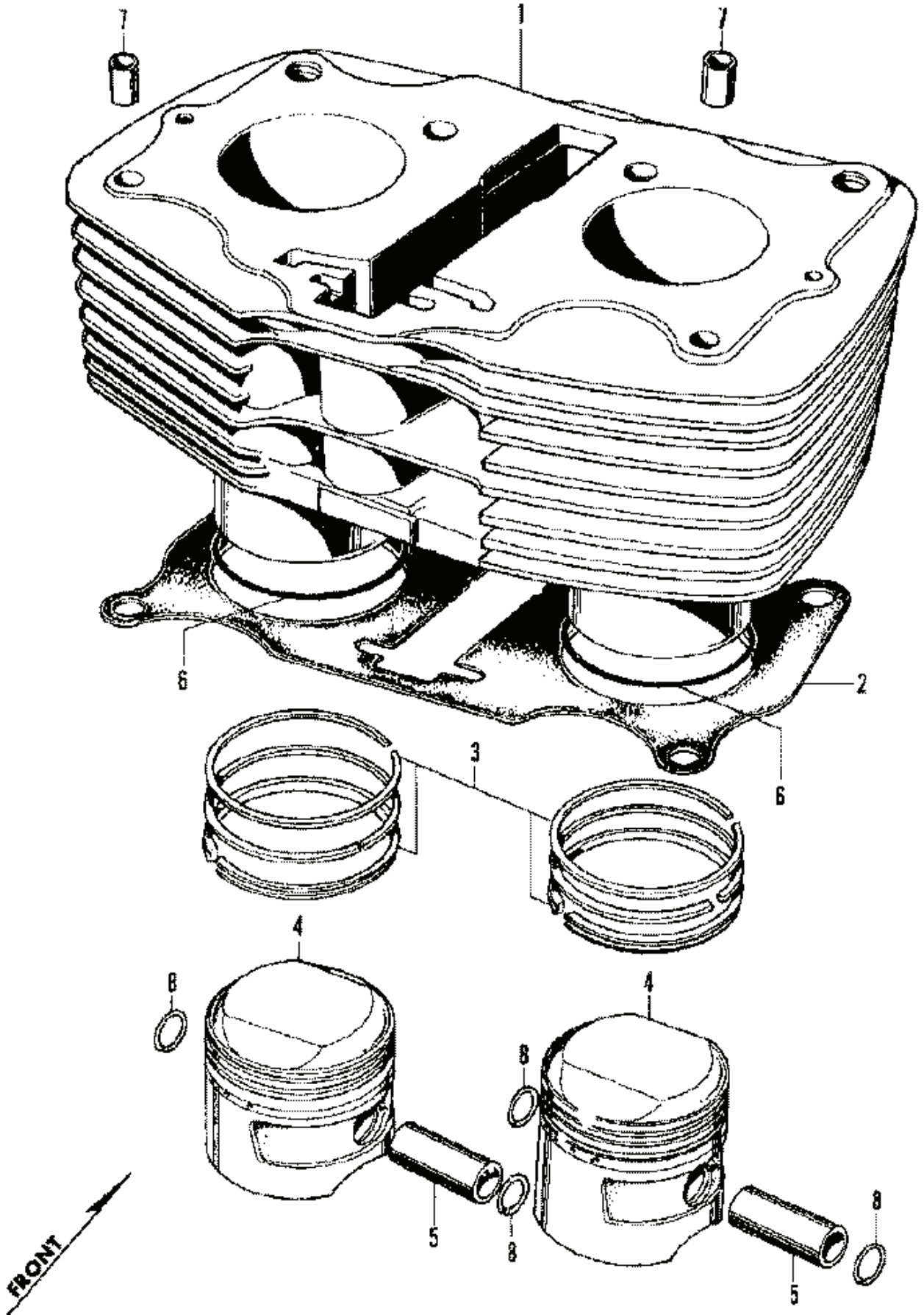


Crankshaft

- Page 24 -

REF#	PART	#REQ	REMARKS
01	CRANKSHAFT 13000-287-070	001	
02	ROD, CONNECTING 13201-287-310	002	
10	CIRCLIP (30MM) 90601-701-000	001	
11	PIN, DOWEL (7X12) 90708-286-000	003	
12	BEARING, BALL (6306) 91001-286-003	001	
13	BEARING (6206) 91001-312-014	001	
14	ROLLER (4X10) 91004-286-000	036	
15	ROLLER (3X12.5) 91102-286-000	052	
16	KEY (25X14) 94401-25140	001	
17	RETAINER, L. 13501-287-300	001	
18	RACE, L. BEARING 13431-287-300	001	
19	WASHER (30MM) 90454-287-000	001	

Cylinder / Piston



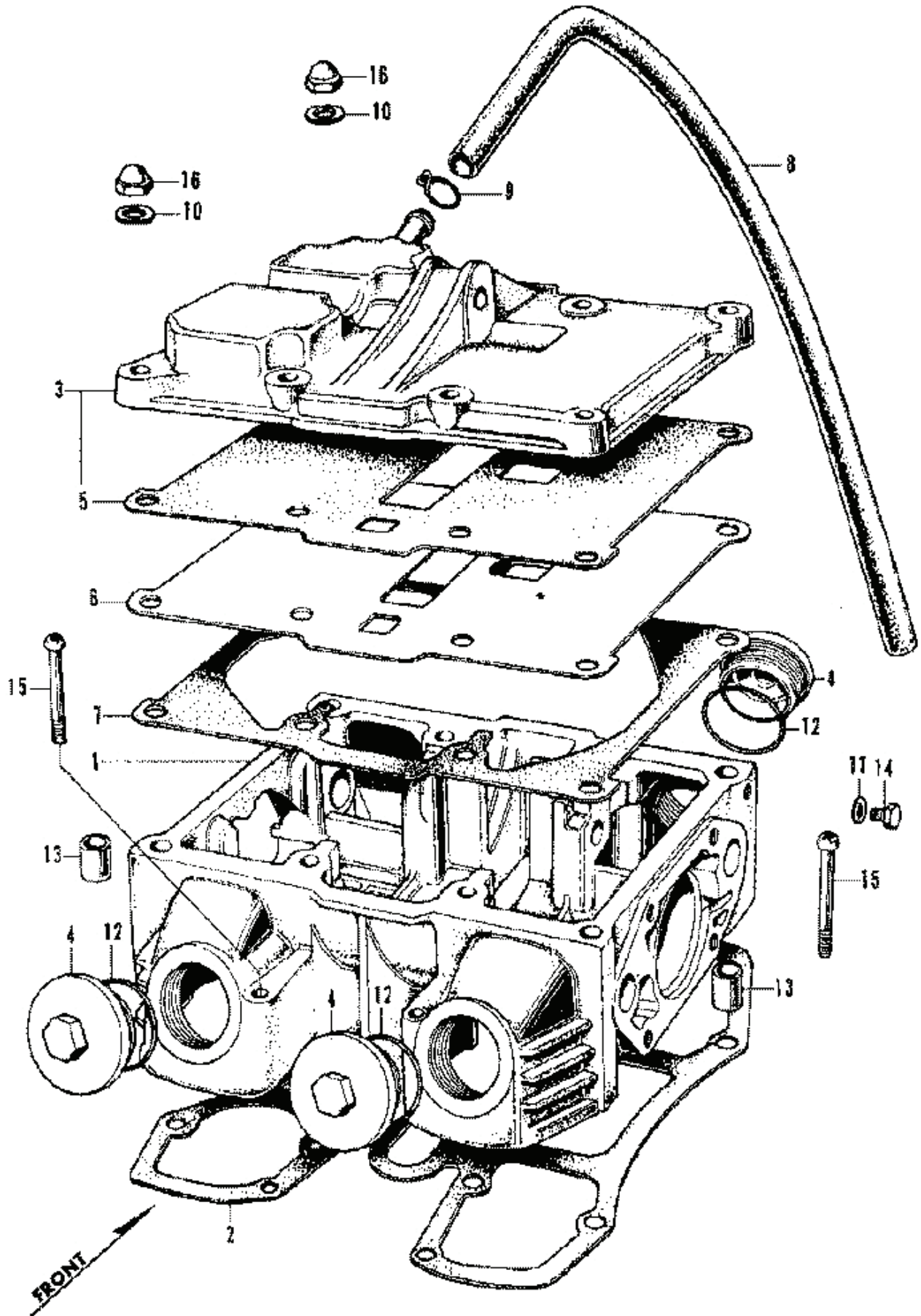
Cylinder / Piston

REF#	PART	#REQ	REMARKS
01	CYLINDER 12100-287-070	001	
02	GASKET, CYLINDER 12191-312-306	001	
03	RING SET (STD) 13011-391-004	002	
03	RING SET (STD) 13011-391-004	002	
03	RING SET (STD) 13011-391-004	002	
03	RING SET (STD) 13011-391-004	002	
03	RING SET (OS) (0.25) 13021-391-004	002	
03	RING SET (OS) (0.25) 13021-391-004	002	
03	RING SET (OS) (0.25) 13021-391-004	002	
03	RING SET (OS) (0.25) 13021-391-004	002	
03	RING SET (OS) (0.50) 13031-391-004	002	
03	RING SET (OS) (0.50) 13031-391-004	002	
03	RING SET (OS) (0.50) 13031-391-004	002	
03	RING SET (OS) (0.50) 13031-391-004	002	
03	RING (OS) (0.75) 13041-391-004	002	
03	RING (OS) (0.75) 13041-391-004	002	
03	RING (OS) (0.75) 13041-391-004	002	
03	RING SET (1.00) 13051-391-004	002	
03	RING SET (1.00) 13051-391-004	002	
03	RING SET (1.00) 13051-391-004	002	
04	PISTON (STD) 13101-312-010	002	
04	PISTON (STD) 13101-312-010	002	
04	PISTON (OS) (0.25) 13102-312-010	002	
04	PISTON (OS) (0.25) 13102-312-010	002	
04	PISTON (OS) (0.50) 13103-312-010	002	
04	PISTON (OS) (0.50) 13103-312-010	002	
04	PISTON (OS) (0.75) 13104-312-010	002	
04	PISTON (OS) (0.75) 13104-312-010	002	
04	PISTON (1.00) 13105-312-010	002	
04	PISTON (1.00) 13105-312-010	002	
05	PIN, PISTON 13111-287-000	002	
05	PIN, PISTON 13111-KR9-000	002	
06	O-RING (69.8X2.0) 91304-287-000	002	
07	PIN, CYLINDER KNOCK 91356-286-000	002	
08	CLIP (15MM) 94601-15000	004	

Cylinder Head & Spark Plug

REF#	PART	#REQ	REMARKS
01	GUIDE, VALVE 12025-286-310	002	
01	GUIDE, VALVE 12025-286-405	002	
02	GUIDE, EX. VALVE 12027-286-405	002	
02	GUIDE, EX. VALVE 12027-286-405	002	
03	CYLINDER HEAD 12200-287-110	001	
03	CYLINDER HEAD 12200-287-110	001	
04	GASKET, CYL HD 12251-312-306	001	
04	GASKET, CYL HD 12251-312-306	001	
04	GASKET, CYL HD 12251-312-306	001	
04	GASKET, CYL HD 12251-312-306	001	
04	GASKET, CYL HD 12251-312-306	001	
04	GASKET, CYL HD 12251-312-306	001	
04	GASKET, CYL HD 12251-312-306	001	
05	RUBBER, INSERT 12620-286-000	012	
06	INSULATOR, CARB 16211-286-040	002	
07	BAND, INSULATOR 16223-317-000	002	
08	GASKET, INSULATOR 16229-369-306	002	
08	GASKET, INSULATOR 16229-369-306	002	
08	GASKET, INSULATOR 16229-369-306	002	
09	TERMINAL, IGNITION 30600-568-620	002	
10	CAP ASSY. 30700-KE2-942	002	
10	CAP ASSY. 30700-KE2-942	002	
10	CAP ASSY. 30700-KE2-942	002	
10	CAP ASSY. 30700-KE2-942	002	
12	BOLT, STUD (8X58) 90041-286-300	004	
13	BOLT, HEX. (6X25) 92101-06025-0A	002	
13	BOLT, HEX. (6X25) 92101-06025-0A	002	
13	BOLT, FLANGE (6X25) 95701-06025-00	002	
13	BOLT, FLANGE (6X25) 95701-06025-00	002	
13	BOLT, FLANGE (6X25) 95701-06025-00	002	
13	BOLT, FLANGE (6X25) 95701-06025-00	002	
14	SCREW, PAN (4X20) 93500-04020-0A	002	
15	SCREW, PAN (6X16) 93500-06016-0A	004	
15	SCREW, PAN (6X16) 93500-06016-0A	004	
16	WASHER, PLAIN (6MM) 94101-06800	002	
16	WASHER, PLAIN (6MM) 94101-06800	002	
16	WASHER, PLAIN (6MM) 94101-06800	002	
17	SPARK PLUG (B7ES) 98079-57840	002	
17	SPARK PLUG (B8ES) 98079-58840	002	
17	SPARK PLUG (B9ES) 98079-59811	002	
17	SPARK PLUG (B9ES) 98079-59840	002	

Cylinder Head Cover & Cam Case

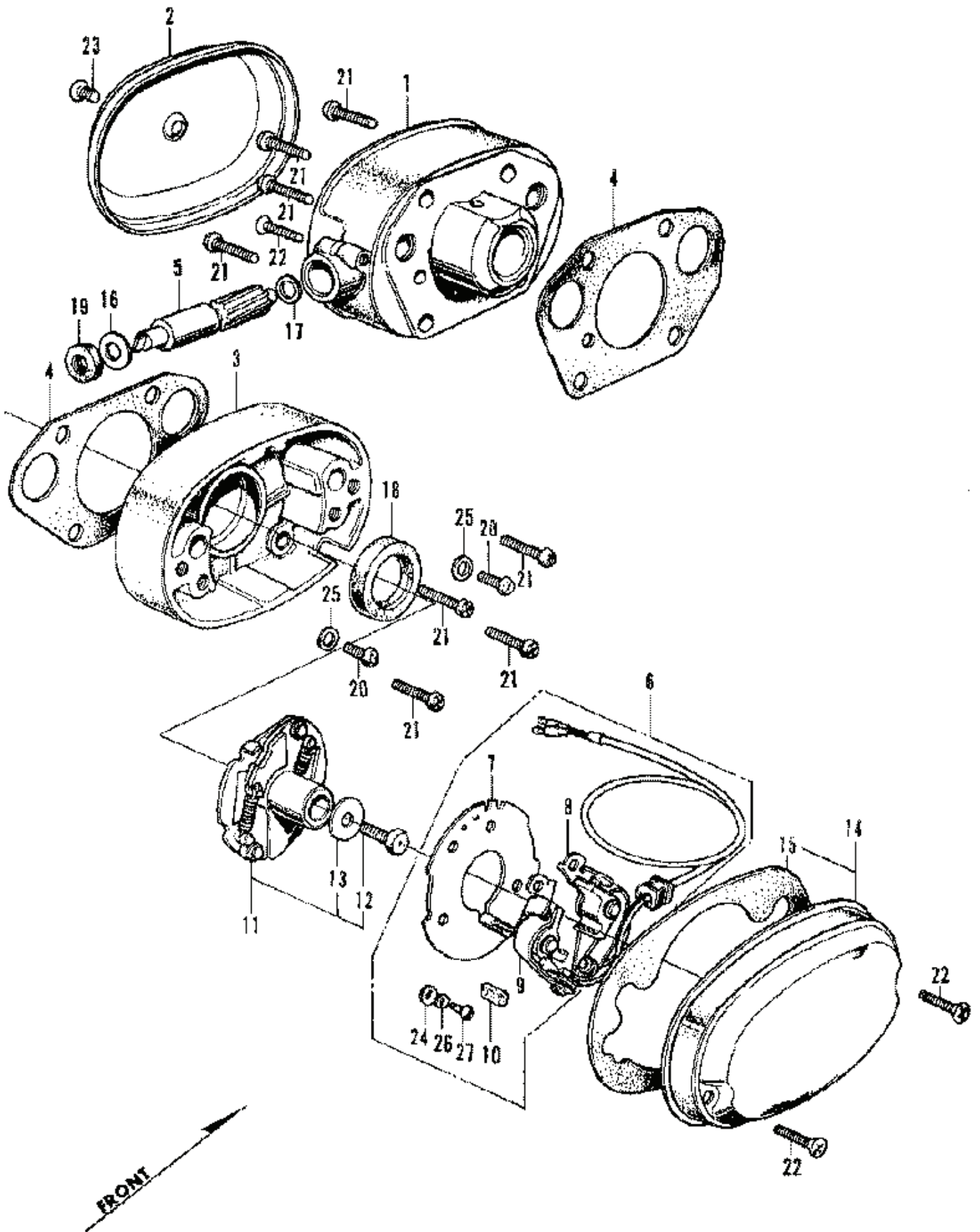


Cylinder Head Cover & Cam Case

- Page 30 -

REF#	PART	#REQ	REMARKS
01	CAM CASE 12211-312-000	001	
02	GASKET, CAM CASE 12261-286-306	001	
03	COVER, CYLINDER HEAD 12300-286-000	001	
04	CAP, VALVE ADJ. 12361-300-000	004	
04	CAP, VALVE ADJ. 12361-300-000	004	
04	CAP, VALVE ADJ. 12361-300-000	004	
05	GASKET A, CYL HD CVR 12391-286-306	001	
06	GASKET B, CYL HD CVR 12394-312-000	001	
07	GASKET C, CYL HD CVR 12395-286-306	001	
08	*95005-11001-30M 95005-11570-30	001	
09	CLIP, BREATHER TUBE 15772-292-010	001	
10	WASHER, SEAL (8MM) 90441-286-000	008	
11	WASHER A (6MM) 90478-700-000	001	
12	O-RING (30.8MM) 91302-001-020	004	
13	PIN, CYLINDER KNOCK 91356-286-000	002	
14	BOLT, HEX. (6X8) 92101-06008-0A	001	
14	BOLT, HEX. (6X8) 92101-06008-0A	001	
14	BOLT, HEX. (6X8) 92101-06008-0A	001	
15	SCREW, PAN (6X50) 93500-06050-0A	004	
15	SCREW, PAN (6X50) 93500-06050-0A	004	
16	NUT, CAP (8MM) 94021-08000-0S	008	

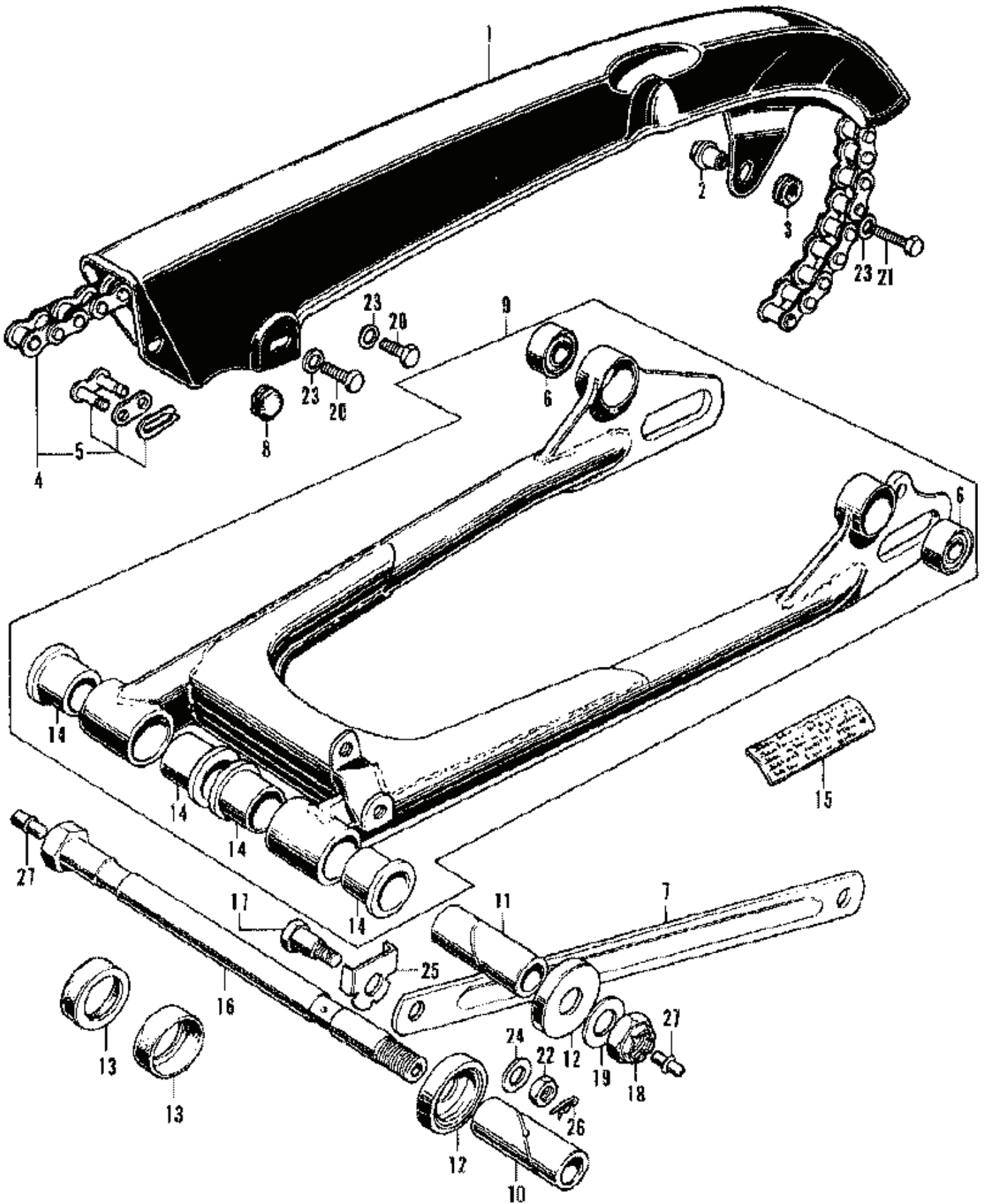
Cylinder Head Side Cover & Points Advancer



Cylinder Head Side Cover & Points Advancer

REF#	PART	#REQ	REMARKS
01	CVR, R. CYL HD SIDE 12331-286-080	001	
02	COVER, TACHOMETER 12332-286-000	001	
03	CVR, L. CYL HD SIDE 12341-286-060	001	
04	GSKT, CYL HD SD/CVR 12392-286-306	002	
05	GEAR, TACHOMETER 12431-286-020	001	
06	POINTS ASSY. 30200-286-004	001	
07	PLATE, POINTS BASE 30201-286-004	001	
08	POINTS, R. 30203-286-004	001	
09	POINTS, L. 30204-286-004	001	
10	FELT, OIL 30205-205-014	001	
11	ADVANCER, SPARK 30220-286-014	001	
12	BOLT 30225-286-004	001	
13	WASHER 30226-286-014	001	
14	COVER, POINTS 30370-298-000	001	
15	GASKET, POINT COVER 30372-286-306	001	
16	WASHER 90458-286-000	001	
17	WASHER 90539-011-000	001	
18	OIL SEAL (22X35X6) 91202-286-023	001	
18	OIL SEAL (22X35X5) 91251-KM1-003	001	
18	OIL SEAL (22X35X5) 91251-KM1-003	001	
19	OIL SEAL 91256-096-651	001	
19	OIL SEAL 91256-096-651	001	
20	SCREW, PAN (6X12) 93500-06012-0A	002	
20	SCREW, PAN (6X12) 93500-06012-0A	002	
20	SCREW, PAN (6X12) 93500-06012-0A	002	
21	SCREW, PAN (6X20) 93500-06020-0A	008	
21	SCREW, PAN (6X20) 93500-06020-0A	008	
22	SCREW, OVAL (5X20) 93700-05020-0B	003	
22	SCREW, OVAL (5X20) 93700-05020-0B	001	
22	SCREW, OVAL (5X22) 93700-05022-0A	002	
23	SCREW, OVAL (6X10) 93700-06010-0B	001	
23	SCREW, OVAL (6X10) 93700-06010-0B	001	
24	WASHER, PLAIN (4MM) 94101-04000	004	
25	WASHER, PLAIN (6MM) 94101-06800	002	
25	WASHER, PLAIN (6MM) 94101-06800	002	
25	WASHER, PLAIN (6MM) 94101-06800	002	
26	WASHER, SPRING (4MM) 94111-04000	004	
27	SCREW (4X5) 99500-04005-0A	004	

Drivetrain / Case / Swingarm

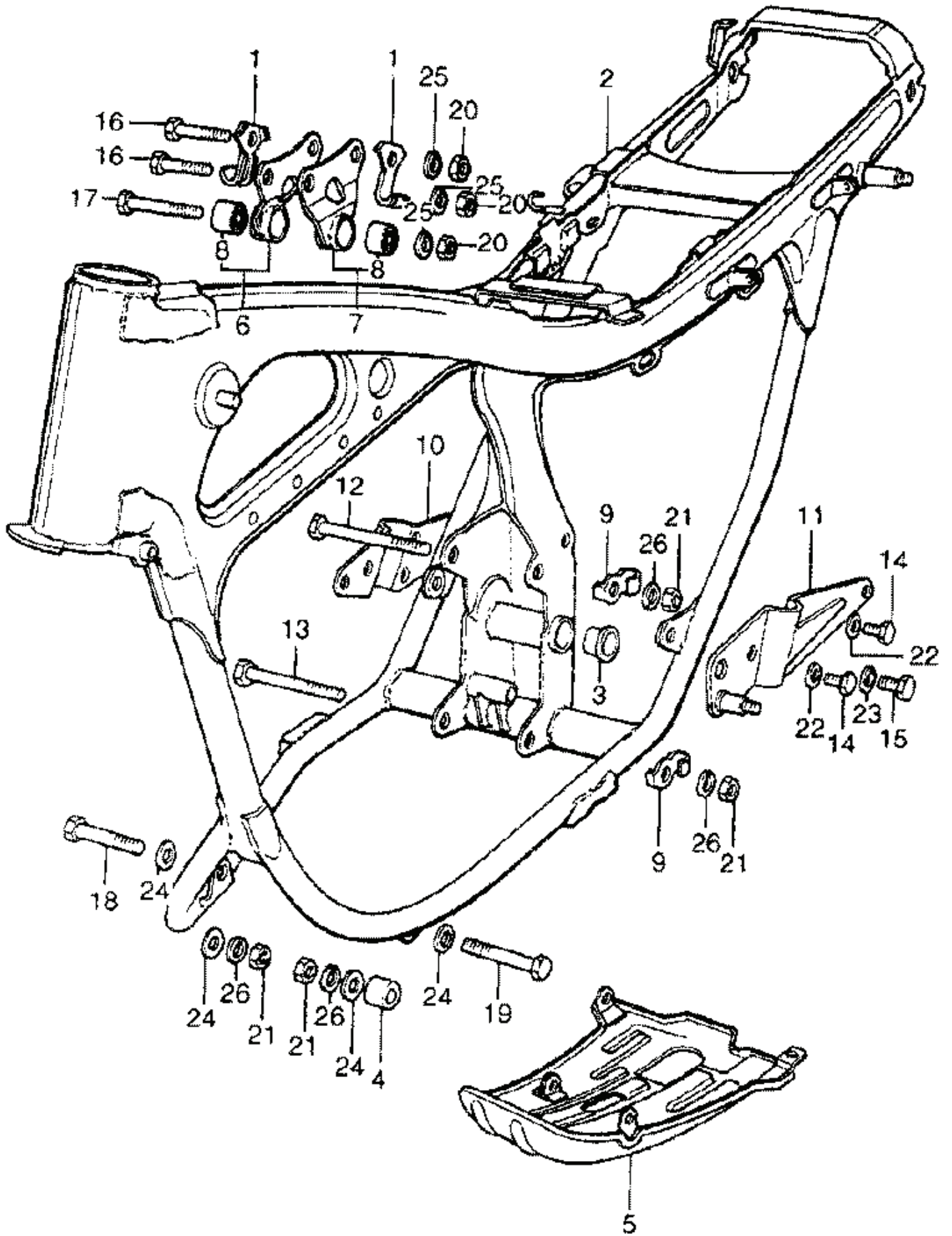


REF#	PART	#REQ	REMARKS
01	CASE *NH1* 40510-317-000B	001	(BLACK)
02	NUT 40512-317-000	001	
03	RUBBER 40513-310-000	001	
04	CHAIN, DRIVE (94L) 40530-369-305	001	
04	CHAIN, DRIVE (94L) 40530-369-305	001	
05	MASTER LINK 40531-413-951	001	
05	MASTER LINK 40531-413-951	001	
05	MASTER LINK 40531-413-951	001	
05	MASTER LINK 40531-413-951	001	
06	RUBBER, RR. SWINGARM 40548-268-000	002	
07	ARM, RR. 43431-286-010	001	
08	PLUG, HOLE 50318-041-600	001	
09	SWINGARM, RR. *NH1* 52100-317-000B	001	(BLACK)
10	COLLAR 52141-268-000	001	
11	COLLAR 52141-286-000	001	
12	CAP 52144-356-005	002	
12	CAP 52144-356-005	002	
12	CAP 52144-356-005	002	
13	RUBBER 52145-329-000	002	
13	RUBBER 52145-329-000	002	
14	BUSH, SWINGARM PIVOT 52174-329-300	004	
14	BUSH, SWINGARM PIVOT 52174-329-300	004	
15	MARK 87504-028-670	001	
16	BOLT, SWINGARM PIVOT 90121-349-690	001	
17	BOLT, RR. 90133-286-000	001	
18	NUT, LOCK (14MM) 90354-268-000	001	
19	WASHER (14X26) 90527-634-670	001	
19	WASHER (14X26) 90527-634-670	001	

Drivetrain / Case / Swingarm (page.2)

20	BOLT, HEX. (6X12) 92101-06012-0A	002
20	BOLT, HEX. (6X12) 92101-06012-0A	002
20	BOLT, HEX. (6X12) 92101-06012-0A	002
21	BOLT, HEX. (6X22) 92101-06022-0A	001
21	BOLT, HEX. (6X22) 92101-06022-0A	001
21	BOLT, HEX. (6X22) 92101-06022-0A	001
22	NUT, HEX. (8MM) 94002-08000-0S	001
23	WASHER, PLAIN (6MM) 94101-06800	003
23	WASHER, PLAIN (6MM) 94101-06800	003
23	WASHER, PLAIN (6MM) 94101-06800	003
24	WASHER, PLAIN (8MM) 94101-08000	001
25	WASHER D, TONGUED 94108-41000	001
26	PIN, LOCK (8MM) 94251-08000	001
27	FITTING (A.45) 96201-30001	002
27	FITTING (A.45) 96201-30001	002

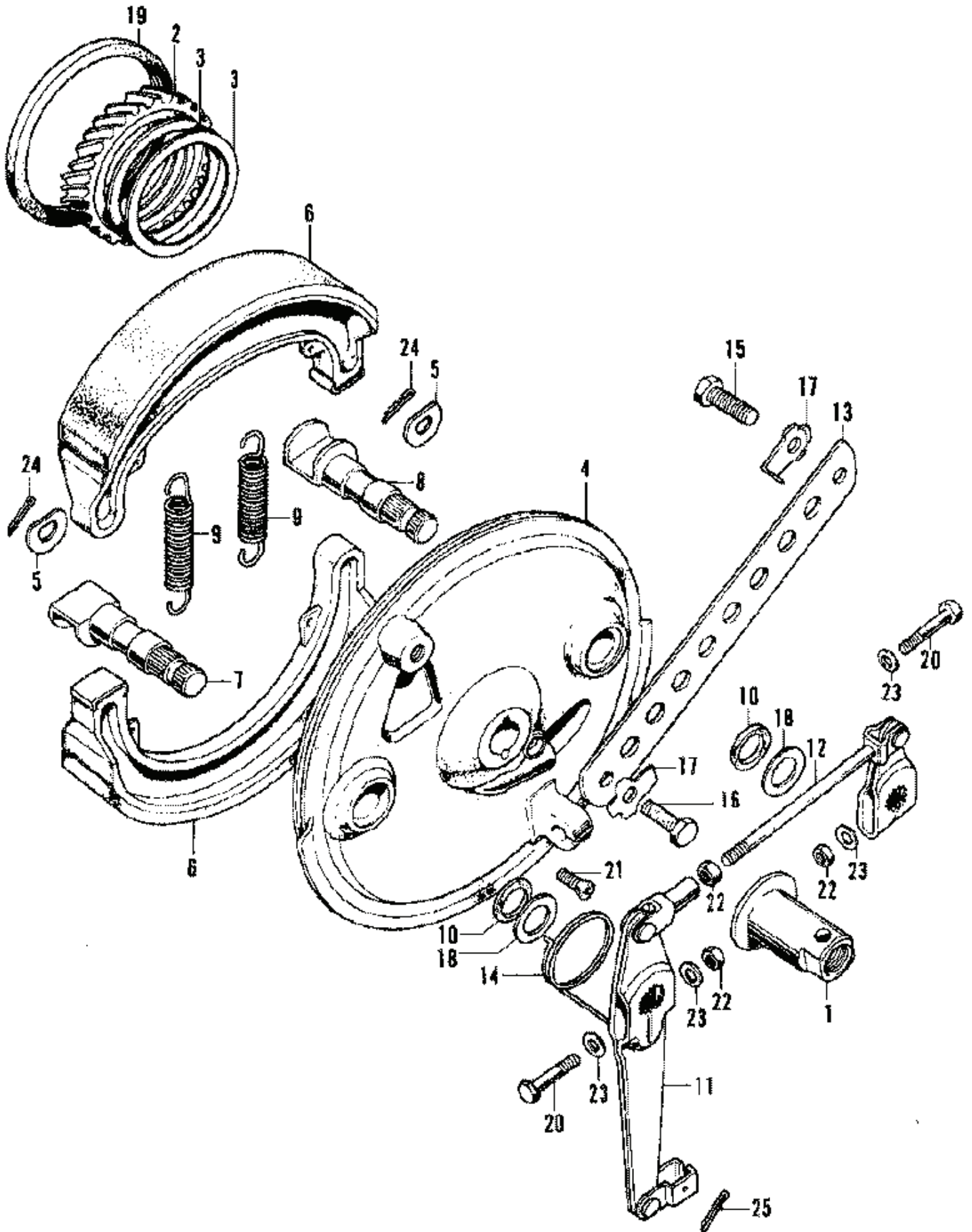
Frame



Frame

REF#	PART	#REQ	REMARKS
01	CLAMP, IGNITION WIRE 32957-317-000	002	
02	FRAME *NH1* 50100-344-670B	001	(BLACK)
02	FRAME *NH1* 50100-344-670B	001	(BLACK)
03	BUSH, CENTER PIPE 50157-286-300	002	
04	COLLAR, ENGINE SIDE 50329-286-010	001	
05	PLATE, SKID *NH1* 50351-290-010B	(1)	(BLACK)
06	PLATE, R. *NH1* 50354-286-000B	001	(BLACK)
07	PLATE, L. *NH1* 50355-286-000B	001	(BLACK)
08	BUSH, ENG HGR RUB 50356-286-300	002	
09	CLIP, STARTER CORD 50361-286-000	002	
10	ARM, R. *NH1* 50711-286-020B	001	(BLACK)
11	ARM, L. *NH1* 50721-286-020B	001	(BLACK)
12	BOLT A, ENG HGR 90102-286-000	001	
13	BOLT B, ENG HGR 90103-286-000	001	
14	BOLT, HEX. (6X12) 92101-06012-0A	004	
14	BOLT, HEX. (6X12) 92101-06012-0A	004	
14	BOLT, HEX. (6X12) 92101-06012-0A	004	
15	BOLT, HEX. (8X16) 92101-08016-0A	002	
15	BOLT, HEX. (8X16) 92101-08016-0A	002	
16	BOLT, HEX. (8X40) 92101-08040-0A	002	
16	BOLT, HEX. (8X40) 92101-08040-0A	002	
17	BOLT, HEX. (8X85) 92101-08085-0A	001	
17	BOLT, HEX. (8X85) 92101-08085-0A	001	
18	BOLT, HEX. (10X50) 92200-10050-0A	001	
19	BOLT, HEX. (10X63) 92200-10063-0A	001	
20	NUT, HEX. (8MM) 94001-08000-0S	003	
21	NUT, HEX. (10MM) 94001-10000-0S	004	
22	WASHER, PLAIN (6MM) 94101-06800	004	
22	WASHER, PLAIN (6MM) 94101-06800	004	
22	WASHER, PLAIN (6MM) 94101-06800	004	
24	WASHER, PLAIN (10MM) 94101-10000	004	
25	WASHER, SPRING (8MM) 94111-08000	006	
26	WASHER (10MM) 94111-10000	004	

Front Brake & Panel

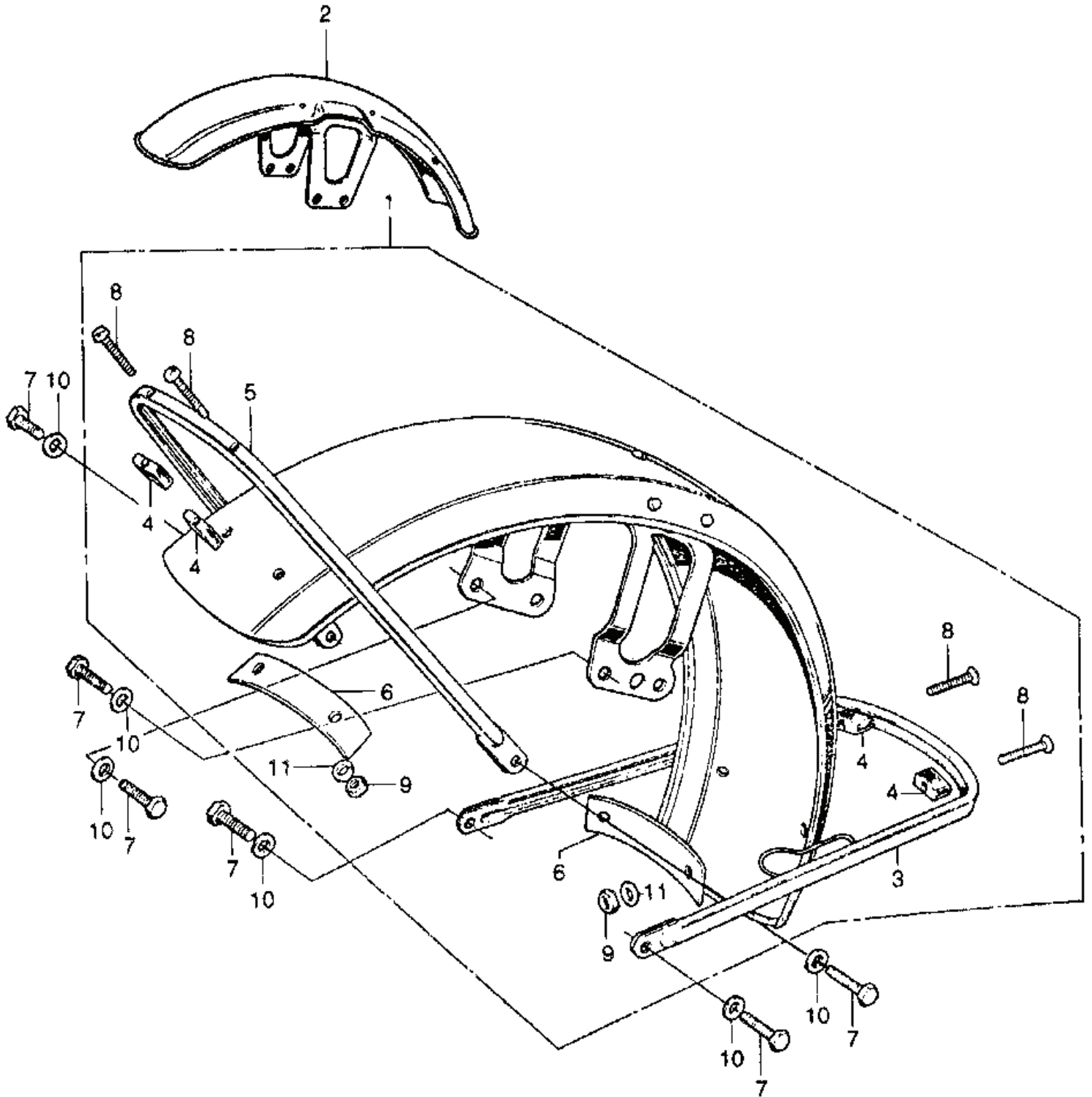


Front Brake & Panel (page.1)

REF#	PART	#REQ	REMARKS
NI	SHOE SET, BRAKE 06450-369-405	001	
NI	SHOE SET, BRAKE 06450-369-405	001	
01	SLEEVE, FR. 44302-344-000	001	
02	GEAR, SPEEDOMETER 44806-286-010	001	
03	WASHER 44809-286-010	002	
04	PANEL, FR. BRAKE 45010-344-000	001	
05	WASHER, FR. 45106-235-000	002	
06	SHOE, FR. BRAKE 45120-369-670	002	
06	SHOE, FR. BRAKE 45120-369-670	002	
07	CAM A, FR. BRAKE 45131-286-000	001	
08	CAM B, FR. BRAKE 45132-286-010	001	
09	SPRING, BRAKE SHOE 45133-235-000	002	
09	SPRING, BRAKE SHOE 45133-345-000	002	
10	DUST SEAL, BRAKE CAM 45134-250-000	002	
11	ARM, FR. BRAKE 45410-369-000	001	
11	ARM, FR. BRAKE 45410-369-000	001	
12	ARM, FR. BRAKE 45420-286-000	001	
13	ARM, FR. 45431-344-000	001	
14	SPRING, FR. 45461-222-000	001	
15	BOLT, HEX. (8X28) 93201-08028-0A	001	
15	BOLT, HEX. (8X28) 93201-08028-0A	001	
15	BOLT, HEX. (8X28) 93201-08028-0A	001	
15	BOLT, HEX. (8X28) 93201-08028-0A	001	
16	BOLT B, FR. 90126-286-000	001	
17	WASHER B (8.2MM) 90533-286-000	002	
18	WASHER (14MM) 90549-121-000	002	
19	OIL SEAL (54X66X7) 91251-230-003	001	
19	OIL SEAL (54X66X7) 91251-230-003	001	
20	BOLT, HEX. (6X35) 92201-06035-0A	002	
20	BOLT, HEX. (6X35) 92201-06035-0A	002	
20	BOLT, HEX. (6X35) 92201-06035-0A	002	

21	SCREW, OVAL (5X16) 93700-05016-0A	001
22	NUT, HEX. (6MM) 94001-06200-0S	003
22	NUT, HEX. (6MM) 94001-06200-0S	002
22	NUT, HEX. (6MM) 94001-06200-0S	003
22	NUT, HEX. (6MM) 94001-06200-0S	002
22	NUT, HEX. (6MM) 94001-06200-0S	002
22	NUT, HEX. (6MM) 94001-06200-0S	003
22	NUT, HEX. (6MM) 94001-06200-0S	002
22	NUT, HEX. (6MM) 94001-06200-0S	003
22	NUT, HEX. (6MM) 94001-06200-0S	002
22	NUT, HEX. (6MM) 94001-06200-0S	001
22	NUT, HEX. (6MM) 94002-06000-0S	001
22	NUT, HEX. (6MM) 94001-06200-0S	002
22	NUT, HEX. (6MM) 94001-06200-0S	003
23	WASHER, PLAIN (6MM) 94101-06800	004
23	WASHER, PLAIN (6MM) 94101-06800	004
23	WASHER, PLAIN (6MM) 94101-06800	004
24	PIN, SPLIT (2.0X15) 94201-20150	002
25	PIN, SPLIT (2.0X35) 94201-20350	001
25	PIN, SPLIT (2.0X35) 94201-20350	001
25	PIN, SPLIT (2.0X22) 94201-20220	001
25	PIN, SPLIT (2.0X35) 94201-20350	001
25	PIN, SPLIT (2.0X35) 94201-20350	001
25	PIN, SPLIT (2.0X35) 94201-20350	001
25	PIN, SPLIT (2.0X35) 94201-20350	001
25	PIN, COTTER (2.0X22) 94201-29220	001

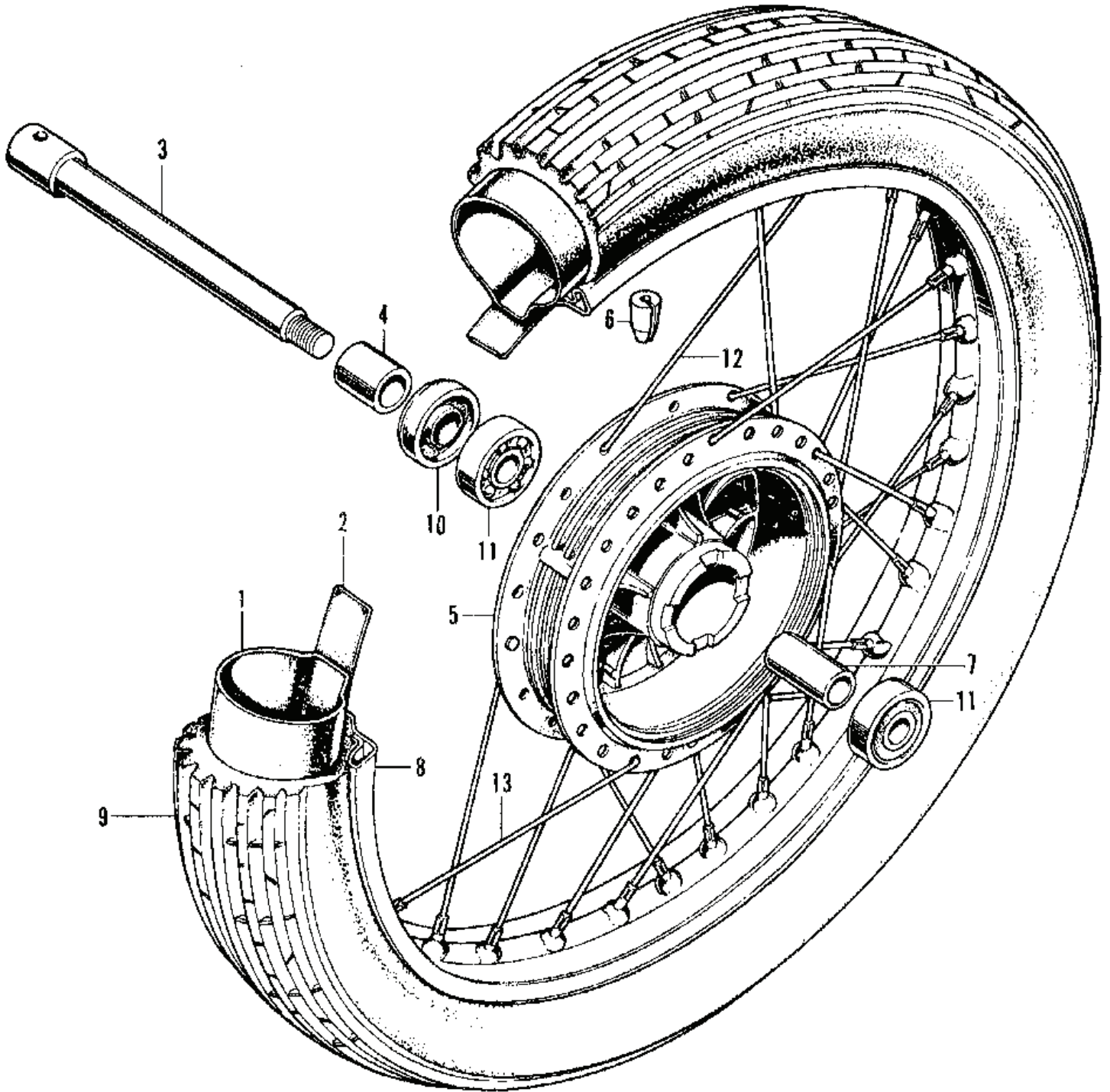
Front Fender



Front Fender

REF#	PART	#REQ	REMARKS
02	FENDER, FR. *MRCR2* 61100-344-670XW	001	(CHROME PLATING)
04	BOLT, HEX. (6X16) 92101-06016-0A	008	
04	BOLT, HEX. (6X16) 92101-06016-0A	008	
04	BOLT, HEX. (6X16) 92101-06016-0A	008	
04	BOLT, HEX. (6X16) 92101-06016-0A	008	
04	BOLT, HEX. (6X16) 92101-06016-0A	008	
04	BOLT, HEX. (6X16) 92101-06016-0A	008	
05	WASHER, PLAIN (6MM) 94101-06800	008	
05	WASHER, PLAIN (6MM) 94101-06800	008	
05	WASHER, PLAIN (6MM) 94101-06800	008	

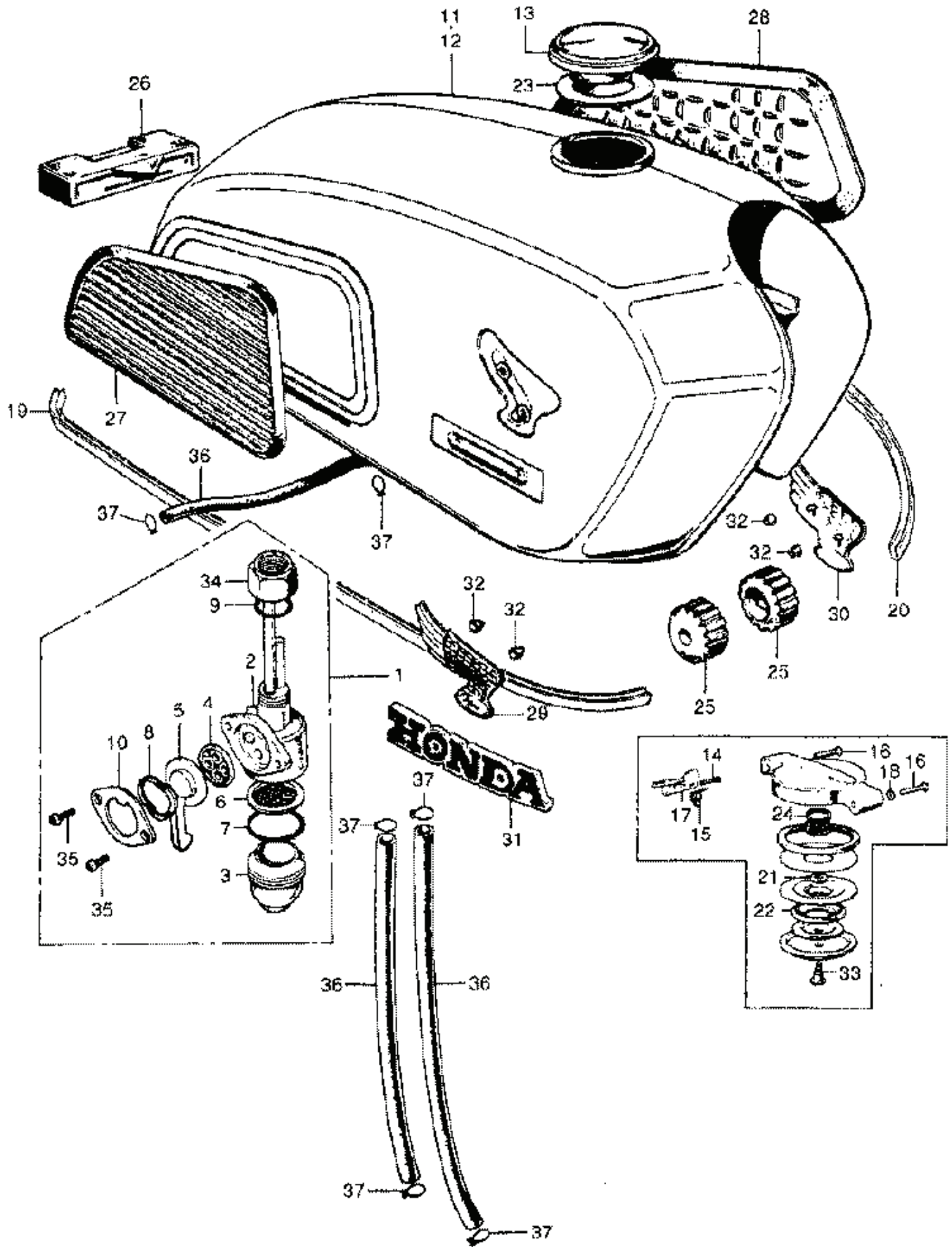
Front Wheel & Axle



Front Wheel & Axle

REF#	PART	#REQ	REMARKS
01	TUBE (275/300-18) 42712-KC6-005	001	
01	TUBE (275/300-18) 42712-KC6-005	001	
01	TUBE (275/300-18) 42712-KC6-005	001	
01	TUBE (275/300-18) 42712-KC6-005	001	
01	TUBE (275/300-18) 42712-KC6-005	001	
01	TUBE (275/300-18) 42712-KC6-005	001	
01	TUBE (275/300-18) 42712-KC6-005	001	
01	TUBE (275/300-18) 42712-KC6-005	001	
01	TUBE (275/300-18) 42712-KC6-005	001	
01	TUBE (275/300-18) 42712-KC6-005	001	
01	TUBE (275/300-18) 42712-KC6-005	001	
02	FLAP, TIRE (18) 42713-268-003	001	
03	AXLE, FR. WHEEL 44301-312-000	001	
04	COLR, FR. WHEEL SIDE 44311-344-000	001	
05	HUB, FR. WHEEL 44601-286-010	001	
06	BALANCER (20G) 44606-283-000	AR	
06	BALANCER (15G) 44607-283-000	AR	
06	BALANCER (10G) 44608-283-000	AR	
06	BALANCER, WHEEL (5G) 44609-283-000	AR	
07	COLLAR, FR. 44620-286-000	001	
08	RIM, FR. WHEEL 44701-235-003	001	
08	RIM, FR. WHEEL 44701-235-003	001	
09	TIRE, FR. (3.00-18) 44711-286-003	001	
10	OIL SEAL (26X42X7) 91252-230-003	001	
11	BEARING (6302U) 96140-63020	002	
12	SPOKE B (9X154) 97366-52148-1	018	
13	SPOKE B (9X153.5) 97716-52147-10	018	
13	SPOKE B (9X153.5) 97716-52147-10	018	

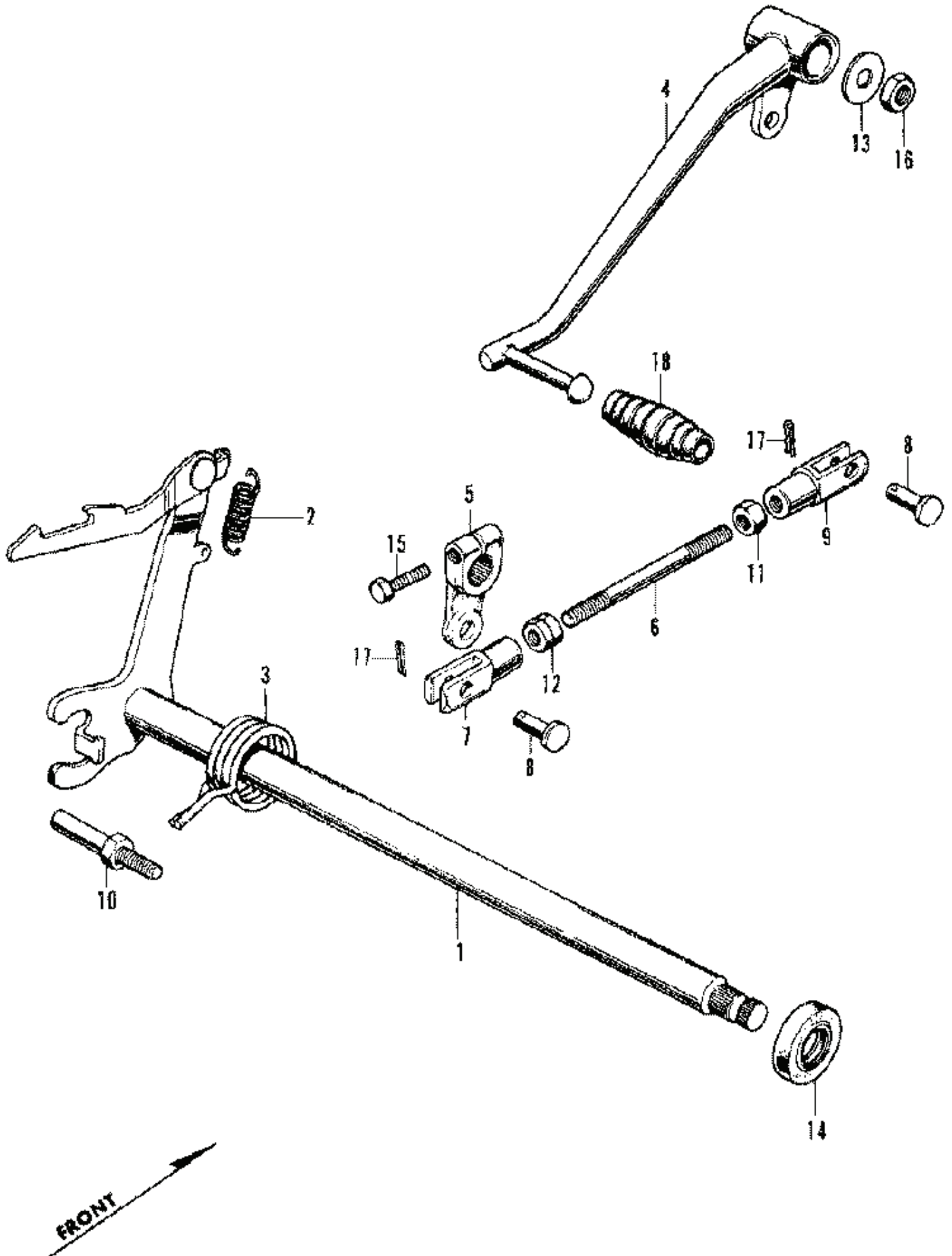
Fuel Tank & Fuel Valve



Fuel Tank & Fuel Valve

REF#	PART	#REQ	REMARKS
01	PETCOCK ASSY. 16950-292-000	001	
02	BODY, PETCOCK 16951-292-000	001	
03	CUP, FUEL STRAINER 16952-028-000	001	
03	CUP, FUEL STRAINER 16952-028-000	001	
04	GASKET, PETCOCK 16953-283-000	001	
05	LEVER, FUEL 16953-298-000	001	
06	SCREEN 16957-028-000	001	
06	SCREEN 16957-028-000	001	
06	SCREEN 16957-028-000	001	
06	SCREEN 16957-028-000	001	
07	O-RING (2.4X18.6) 16075-GHB-B00	001	
07	O-RING (2.4X18.6) 16075-GHB-B00	001	
08	SPRING 16955-816-004	001	
09	GASKET, JOINT NUT 16956-283-000	001	
10	PLATE 16961-298-000	001	
11	TANK, FUEL *R25* 17050-344-670HX	001	(LIGHT RUBY RED)
11	TANK, FUEL *Y2CC* 17050-344-670LX	001	(CANDY GOLD CUSTOM)
11	TANK, FUEL *G5WC* 17050-344-670LY	001	(CANDY BACCHUS OLIVE CUSTOM)
11	TANK, FUEL *R27* 17050-344-670MT	001	(GENTLE MAROON)
11	TANK, FUEL *R25* 17050-344-670HX	001	(LIGHT RUBY RED)
11	TANK, FUEL *Y2CC* 17050-344-670LX	001	(CANDY GOLD CUSTOM)
11	TANK, FUEL *G5WC* 17050-344-670LY	001	(CANDY BACCHUS OLIVE CUSTOM)
11	TANK, FUEL *R27* 17050-344-670MT	001	(GENTLE MAROON)
13	CAP, FUEL TANK 17510-323-310	001	
14	*17550-377-315 17513-300-300	001	
15	PIN B 17514-323-300	001	
16	*17550-377-315 17515-300-300	001	
17	*17550-377-315 17517-300-340	001	
18	MLDG, R, FUEL TANK 17521-317-670	001	
19	MLDG, L, FUEL TANK 17522-317-670	001	
20	GASKET 17534-323-300	001	
21	CUSHION, FR. 17611-KE8-000	002	
21	CUSHION, FR. 17611-KE8-000	002	
22	RUB, RR, FUEL TANK 17613-286-000	001	
23	EMBLEM, R, FUEL TANK 87121-344-670	001	
24	EMBLEM, L, FUEL TANK 87122-344-670	001	
25	NUT, EMBLEM CLAMP 87311-634-600	004	
25	NUT, EMBLEM CLAMP 87311-634-600	004	
26	LABEL *NH0* 87560-323-670A	001	(CHAMPIONSHIP WHITE)
26	LABEL *NH1* 87560-323-670ZA	001	
26	LABEL *NH1* 87560-323-670ZA	001	(BLACK)
27	NUT 90303-268-000	001	
28	SCREW, PAN (3X6) 93500-03006-0A	002	
29	BULK HOSE (5.5X8000) 95001-55008-60M	001	
30	BULK HOSE (5.5X8000) 95001-55008-60M	001	
31	BULK HOSE (5.5X8000) 95001-55008-60M	001	
32	CLIP, TUBE (B10) 95002-02100	006	

Gearshift Spindle & Change Pedal



Gearshift Spindle & Change Pedal

REF#	PART	#REQ	REMARKS
01	SPINDLE, GEARSHIFT 24610-286-030	001	
01	SPINDLE, GEARSHIFT 24610-286-040	001	
02	SPRING 24641-216-000	001	
03	SPRING 24651-286-000	001	
04	PEDAL, GEARSHIFT 24701-286-010	001	
05	JOINT, GEARSHIFT 24711-286-000	001	
05	ARM, GEARSHIFT 24711-355-000	001	
05	ARM, GEARSHIFT 24711-355-000	001	
06	ROD A, GEARSHIFT 24731-268-000	001	
07	JOINT, FR. 24741-268-000	001	
08	PIN 24742-268-000	002	
09	JOINT, RR. 24743-268-010	001	
10	PIN, RETURN SPRING 90015-286-000	001	
11	NUT, LOCK (8MM) 90349-205-000	001	
12	NUT, LOCK (8MM) 90349-268-000	001	
13	WASHER, PLAIN (8MM) 94101-08000	001	
13	WASHER, PLAIN (8MM) 94101-08000	001	
14	OIL SEAL (14X28X7) 91206-286-013	001	
15	BOLT, HEX. (6X20) 92101-06020-0A	001	
15	BOLT, HEX. (6X20) 92101-06020-0A	001	
16	NUT, HEX. (8MM) 94001-08000-0S	001	
17	PIN, SPLIT (2.0X35) 94201-20350	002	
17	PIN, SPLIT (2.0X35) 94201-20350	002	
17	PIN, SPLIT (2.0X22) 94201-20220	002	
17	PIN, SPLIT (2.0X35) 94201-20350	002	
17	PIN, SPLIT (2.0X35) 94201-20350	002	
17	PIN, SPLIT (2.0X35) 94201-20350	002	
17	PIN, SPLIT (2.0X35) 94201-20350	002	
17	PIN, COTTER (2.0X22) 94201-29220	002	
18	RUBBER, CHANGE PEDAL 95011-40000	001	

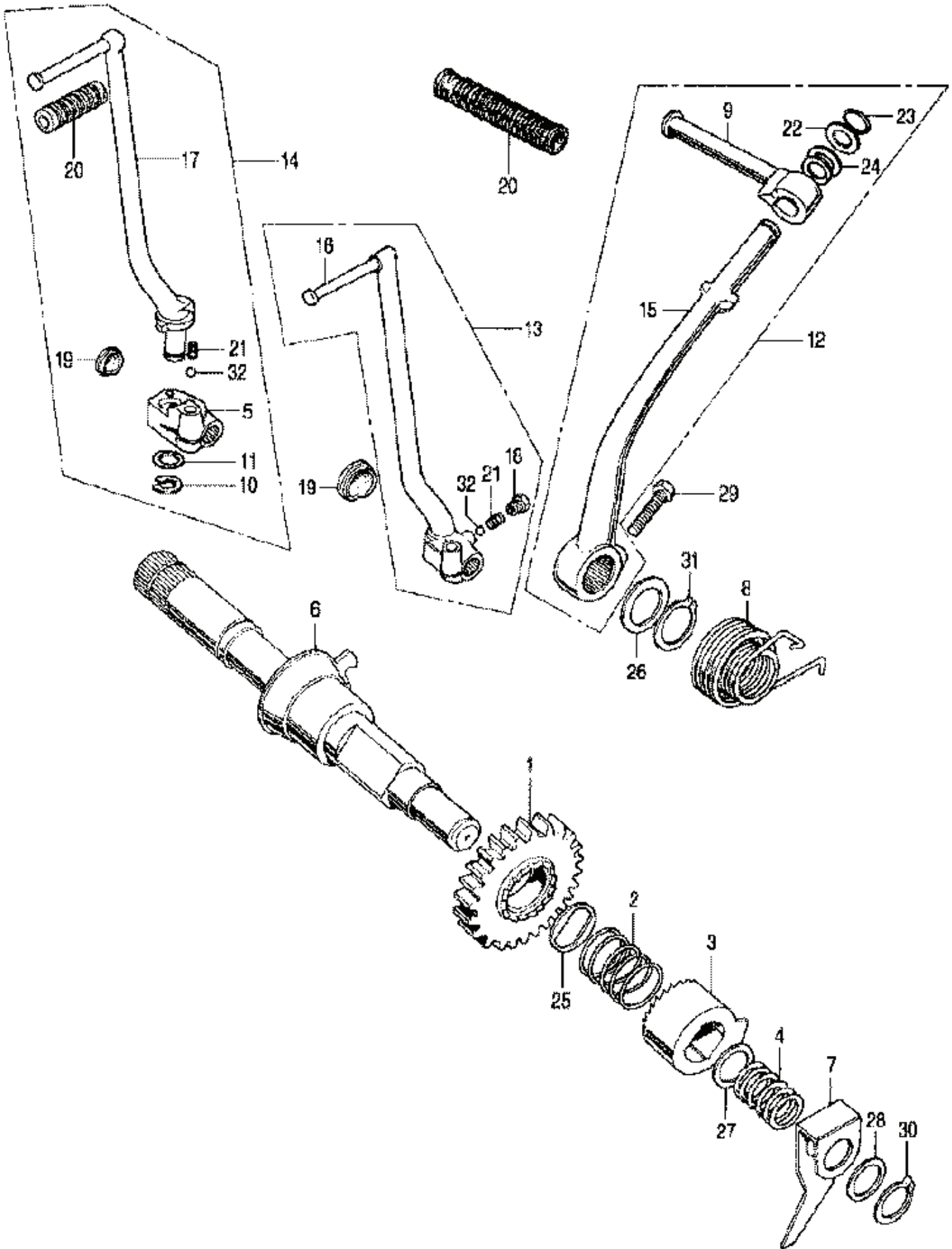
Handlebar & Top Bridge

REF#	PART	#REQ	REMARKS
01	HANDLEBAR 53100-317-700	001	
03	HOLDER, HANDLEBAR 53132-310-010	002	
04	RUBBER 53133-237-680	002	
05	RUBBER 53133-303-000	002	
06	HOLDER, CABLE 53139-286-000	001	
07	BRIDGE, FORK TOP 53230-369-305	001	
07	BRIDGE, FORK TOP 53230-369-305	001	
07	BRIDGE, FORK TOP 53230-369-305	001	
07	BRIDGE, FORK TOP 53230-369-305	001	
08	SPACER 53235-300-000	002	
09	WASHER, PLAIN (8MM) 90518-921-000	004	
10	WASHER A 90524-030-000	002	
11	BOLT, HEX. (8X56) 92101-08056-0B	002	
11	BOLT, HEX. (8X56) 92101-08056-0B	002	
12	BOLT, FLANGE (8X36) 90111-362-000	004	
12	BOLT, FLANGE (8X36) 90111-362-000	004	
13	NUT, HEX. (8MM) 94001-08000-0S	002	
14	NUT, HEX. (8MM) 94001-08020-0S	002	
15	WASHER, PLAIN (8MM) 94102-08200	004	
16	HOLDER B2, HANDLEBAR 95014-22200	002	

Headlight & Headlight Case

REF#	PART	#REQ	REMARKS
01	HDLT (12V 35/25W) 33100-292-674	001	
02	RIM, HEADLIGHT 33101-292-672	001	
03	SCREW 33103-292-670	001	
04	SPRING 33107-283-000	001	
05	NUT 33117-001-023	001	
05	NUT 33117-001-023	001	
06	HEADLIGHT UNIT 33120-292-673	001	
07	SCREW, UNIT HOLDER 33125-292-670	002	
08	NUT, UNIT HOLDER 33128-292-670	002	
09	SUB-WIRE 33605-310-000	001	
10	BULB (12V 3.4W) 34902-259-000	001	
11	LAMP, BEAM PILOT 37550-292-010	001	
12	LENS, BEAM PILOT 37551-292-000	001	
13	CASE *NH1* 61301-333-013B	001	(BLACK)
13	CASE *NH1* 61301-333-013B	001	(BLACK)
14	COLR, HEADLIGHT CASE 61302-292-000	002	
15	WASHER 61303-336-000	002	
16	COLLAR 61304-292-000	002	
17	BOLT, HEX. (10X32) 92101-10032-0B	002	
17	BOLT, HEX. (10X32) 92101-10032-0B	002	
18	SCREW, PAN (5X16) 93500-05016-0B	002	
19	WASHER, PLAIN (4MM) 94101-04000	001	
20	WASHER, PLAIN (10MM) 94101-10000	002	
21	WASHER, SPRING (5MM) 94111-05000	002	
21	WASHER, SPRING (5MM) 94111-05000	002	
21	WASHER, SPRING (5MM) 94111-05000	002	
21	WASHER, SPRING (5MM) 94111-05000	002	
22	WASHER (10MM) 94111-10000	002	
23	PIN, LOCK (5MM) 94251-05000	002	

Kickstarter

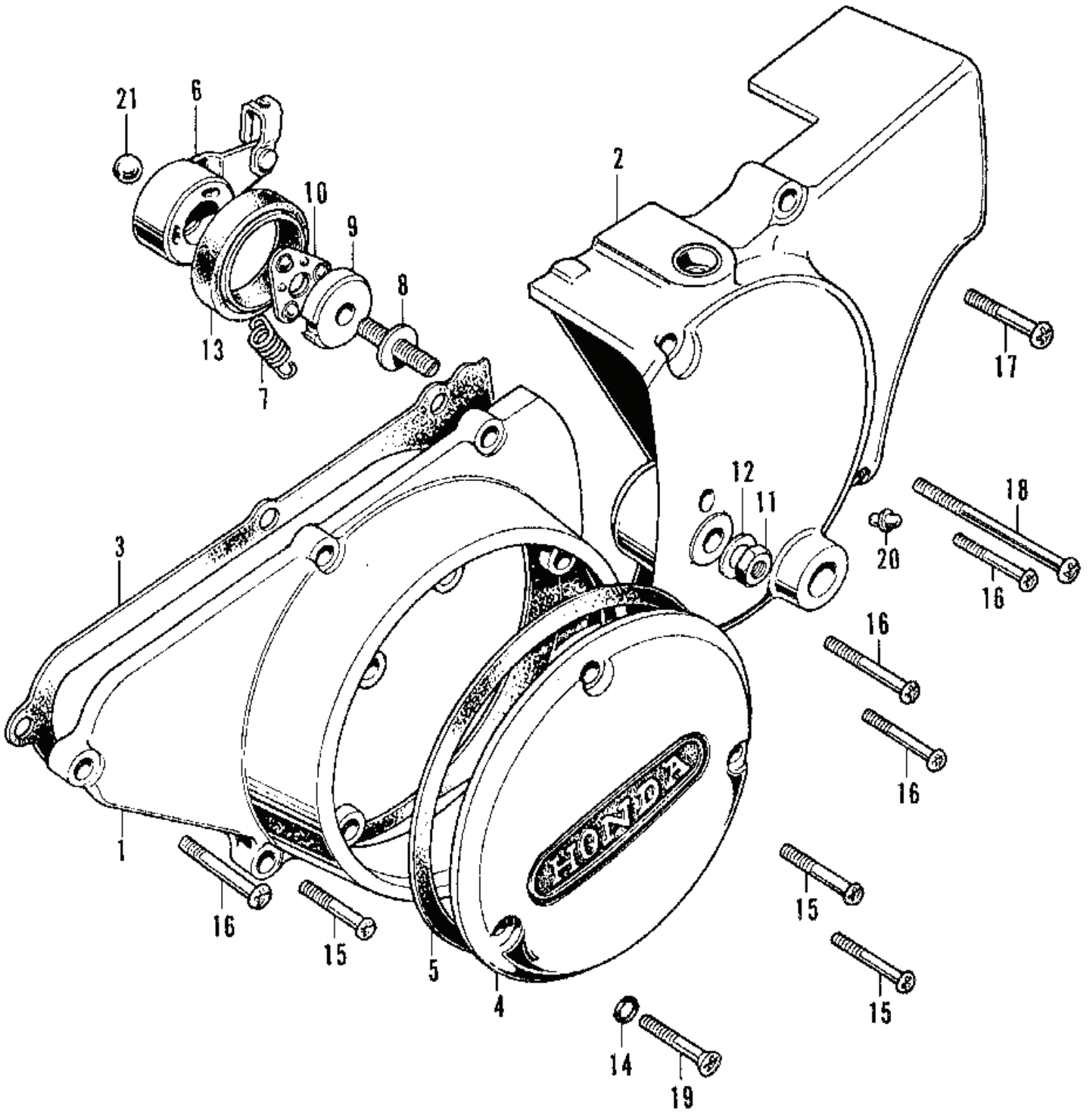


REF#	PART	#REQ	REMARKS
01	PINION, KICK STARTER 28211-310-010	001	
02	SPRING 28215-216-000	001	
03	RATCHET 28221-310-020	001	
03	RATCHET 28221-310-020	001	
04	SPRING 28223-216-000	001	
05	JOINT 28241-344-000	001	
06	SPINDLE 28251-310-010	001	
07	PLATE, RATCHET GUIDE 28258-310-010	001	
08	SPRING, KICK STARTER 28261-323-000	001	
09	PEDAL, KICK STARTER 28263-286-000	001	
10	CLIP 28293-333-000	001	
11	WASHER 28294-333-000	001	
12	ARM, KICK STARTER 28300-286-010	001	
13	ARM, KICK STARTER 28300-344-010	001	
13	ARM, KICK STARTER 28300-344-010	001	
14	ARM, KICK STARTER 28300-344-010	001	
15	ARM, KICK STARTER 28301-286-020	001	
16	ARM, KICK STARTER 28301-310-305	001	
17	ARM, KICK STARTER 28301-344-010	001	
18	BOLT, KICK ARM 28303-310-010	001	
19	CAP, KICK ARM 28305-310-000	001	
20	RUBBER B 95011-52000	001	
20	RUBBER B 95011-52000	001	
20	RUBBER B 95011-52000	001	
20	RUBBER B 95011-52000	001	
20	RUBBER, KICK STARTER 28311-329-000	001	
20	RUBBER B 95011-52000	001	

Kickstarter (page.2)

21	SPRING 28333-310-000	001
22	WASHER, KICK PEDAL 28485-231-020	001
23	CLIP 28486-231-020	001
24	SPRING 28487-231-000	001
25	WASHER (20MM) 90451-216-000	001
26	WASHER (18MM) 90451-357-000	001
26	WASHER (18MM) 90451-357-000	001
27	WASHER (15X1) 90457-HB3-000	001
27	WASHER (15X1) 90457-HB3-000	001
28	WASHER (12MM) 90452-ZG0-000	001
28	WASHER (12MM) 90452-ZG0-000	001
29	BOLT, HEX. (8X28) 92101-08028-0A	001
29	BOLT, HEX. (8X28) 92101-08028-0A	001
30	CIRCLIP (12MM) 94510-12000	001
31	CIRCLIP (18MM) 94510-18000	001
32	BALL (#8) (1/4) 96211-08000	001
32	BALL (#10) (5/16) 96211-10000	001

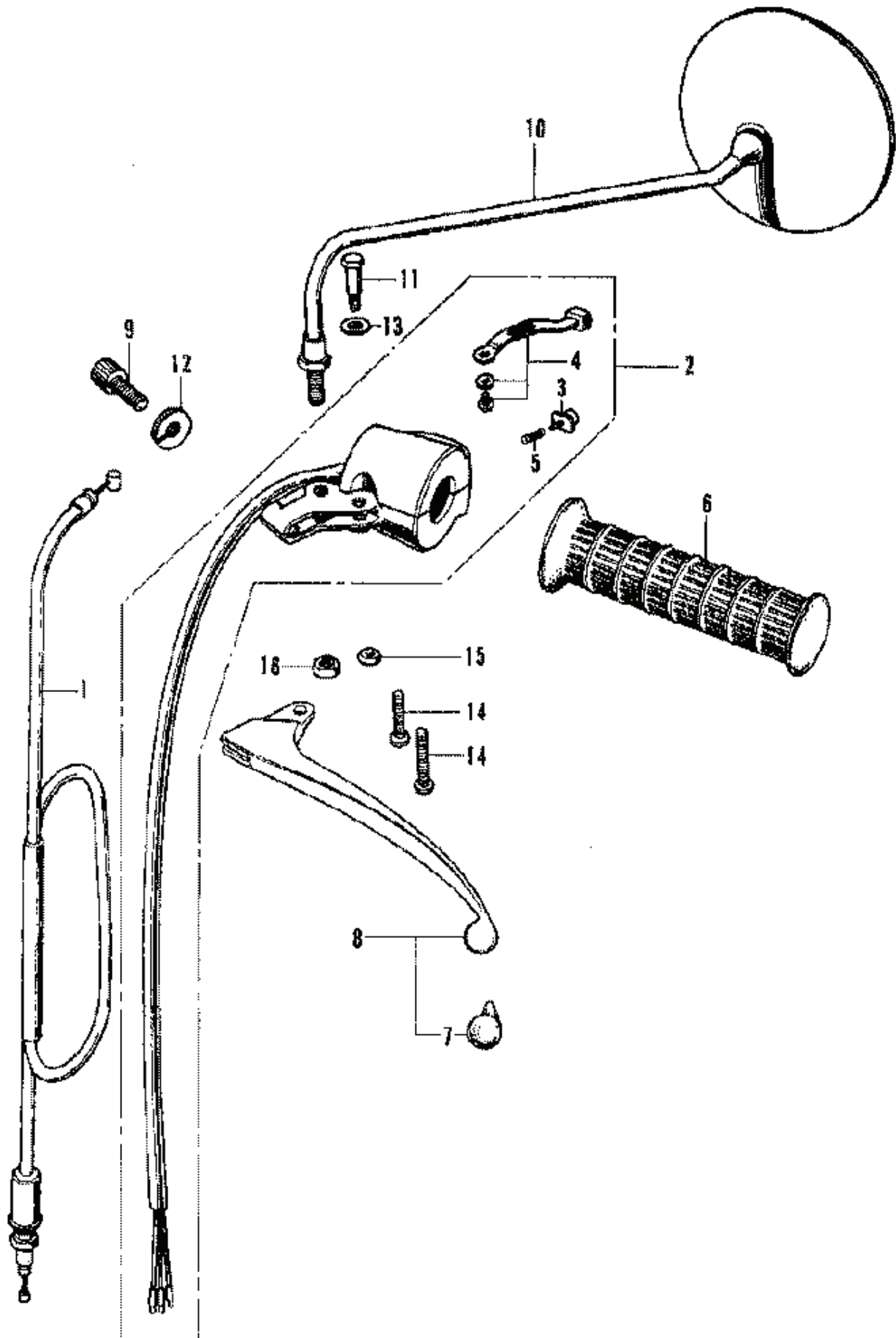
Left Crankcase Cover & Rear Cover



Left Crankcase Cover & Rear Cover

REF#	PART	#REQ	REMARKS
01	CABLE, CLUTCH 22870-379-000	001	
01	CABLE, CLUTCH 22870-379-000	001	
01	CABLE, CLUTCH 22870-379-000	001	
02	SWITCH ASSY. 35250-300-033	001	
03	BUTTON 35317-001-310	001	
04	BUTTON 35317-310-810	001	
04	BUTTON 35317-310-810	001	
05	SPRING, BUTTON 35318-259-000	001	
06	GRIP, L. HANDLEBAR 53166-342-670	001	
06	GRIP, L. HANDLEBAR 95011-14200	001	
07	CAP A, LEVER 95010-16001	001	
07	CAP A, LEVER 95010-16001	001	
07	CAP A, LEVER 95010-16001	001	
08	LEVER, L. HANDLE 53178-369-700	001	
08	LEVER, L. HANDLE 53178-369-700	001	
08	LEVER, L. HANDLE 53178-369-700	001	
08	LEVER, L. HANDLE 53178-369-700	001	
08	LEVER, L. HANDLE 53178-369-700	001	
08	LEVER, L. HANDLE 53178-369-700	001	
08	LEVER, L. HANDLE 53178-369-700	001	
08	LEVER, L. HANDLE 53178-369-700	001	
09	BOLT, WIRE ADJUSTING 53192-268-000	001	
10	MIRROR, L. 88120-235-000	001	
10	MIRROR, L. 88120-333-611	001	
10	MIRROR, L. 88120-333-611	001	
10	MIRROR, L. 88120-333-611	001	
11	BOLT 90114-310-000	001	
12	NUT, FIXING 90321-315-670	001	
12	NUT, FIXING 90321-315-670	001	
13	WASHER (7X12) 90501-310-000	001	
14	SCREW, PAN (5X25) 93500-05025-0A	002	
15	NUT, HEX. (6MM) 94001-06200-0S	001	
15	NUT, HEX. (6MM) 94001-06200-0S	001	
15	NUT, HEX. (6MM) 94001-06200-0S	001	
15	NUT, HEX. (6MM) 94001-06200-0S	001	
15	NUT, HEX. (6MM) 94001-06200-0S	001	
15	NUT, HEX. (6MM) 94001-06200-0S	001	
15	NUT, HEX. (6MM) 94001-06200-0S	001	
15	NUT, HEX. (6MM) 94001-06200-0S	001	
16	NUT, HEX. (10MM) 94001-10000-0S	001	

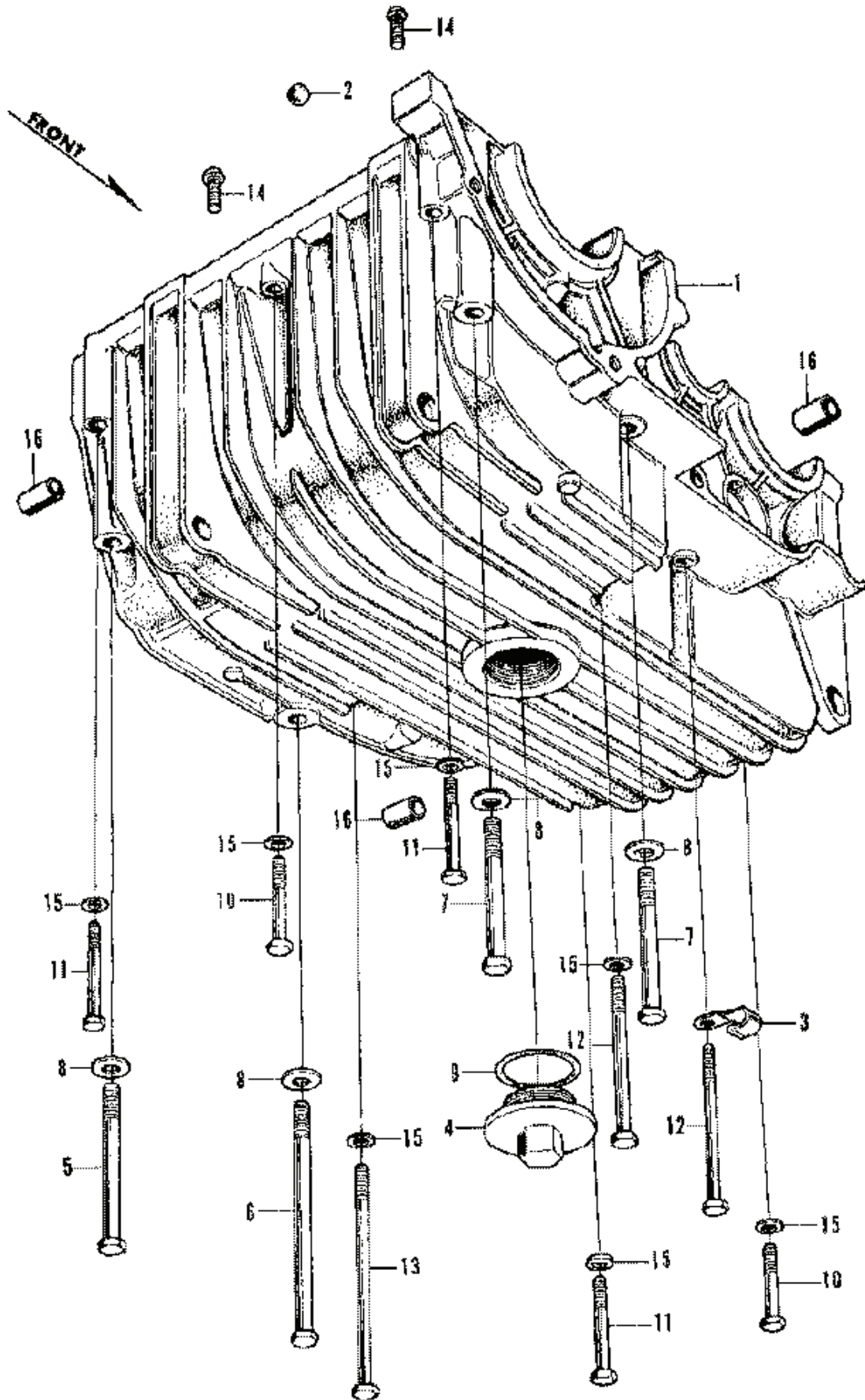
Left Handle Switch & Cable



Left Handle Switch & Cable

REF#	PART	#REQ	REMARKS
01	CABLE, CLUTCH 22870-379-000	001	
01	CABLE, CLUTCH 22870-379-000	001	
01	CABLE, CLUTCH 22870-379-000	001	
02	SWITCH ASSY. 35250-300-033	001	
03	BUTTON 35317-001-310	001	
04	BUTTON 35317-310-810	001	
04	BUTTON 35317-310-810	001	
05	SPRING, BUTTON 35318-259-000	001	
06	GRIP, L. HANDLEBAR 53166-342-670	001	
06	GRIP, L. HANDLEBAR 95011-14200	001	
07	CAP A, LEVER 95010-16001	001	
07	CAP A, LEVER 95010-16001	001	
07	CAP A, LEVER 95010-16001	001	
08	LEVER, L. HANDLE 53178-369-700	001	
08	LEVER, L. HANDLE 53178-369-700	001	
08	LEVER, L. HANDLE 53178-369-700	001	
08	LEVER, L. HANDLE 53178-369-700	001	
08	LEVER, L. HANDLE 53178-369-700	001	
08	LEVER, L. HANDLE 53178-369-700	001	
08	LEVER, L. HANDLE 53178-369-700	001	
08	LEVER, L. HANDLE 53178-369-700	001	
09	BOLT, WIRE ADJUSTING 53192-268-000	001	
10	MIRROR, L. 88120-235-000	001	
10	MIRROR, L. 88120-333-611	001	
10	MIRROR, L. 88120-333-611	001	
10	MIRROR, L. 88120-333-611	001	
11	BOLT 90114-310-000	001	
12	NUT, FIXING 90321-315-670	001	
12	NUT, FIXING 90321-315-670	001	
13	WASHER (7X12) 90501-310-000	001	
14	SCREW, PAN (5X25) 93500-05025-0A	002	
15	NUT, HEX. (6MM) 94001-06200-0S	001	
15	NUT, HEX. (6MM) 94001-06200-0S	001	
15	NUT, HEX. (6MM) 94001-06200-0S	001	
15	NUT, HEX. (6MM) 94001-06200-0S	001	
15	NUT, HEX. (6MM) 94001-06200-0S	001	
15	NUT, HEX. (6MM) 94001-06200-0S	001	
15	NUT, HEX. (6MM) 94001-06200-0S	001	
15	NUT, HEX. (6MM) 94001-06200-0S	001	
16	NUT, HEX. (10MM) 94001-10000-0S	001	

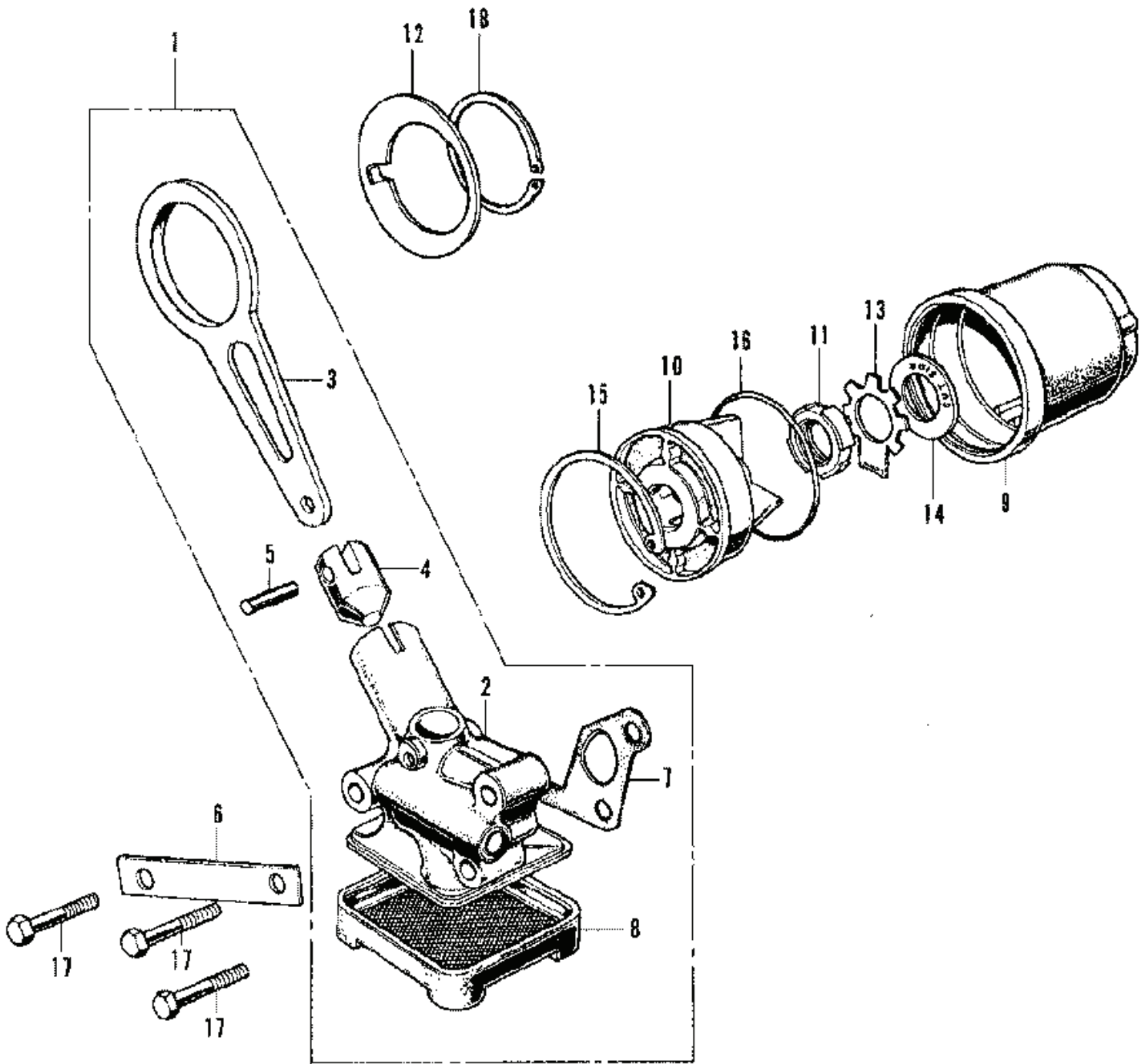
Lower Crankcase



Lower Crankcase

REF#	PART	#REQ	REMARKS
01	CRANKCASE (LOWER) 11200-286-100	001	
02	RUBBER, SEALING 11796-286-010	001	
03	CLAMP, MOTOR CABLE 32911-286-000	001	
04	BOLT, DRAIN VALVE 90013-312-000	001	
05	BOLT, HEX. (8X115) 90082-286-000	001	
06	BOLT, HEX. (8X150) 90083-286-000	001	
07	BOLT, HEX. (8X97) 90086-286-000	002	
08	WASHER (14MM) 90485-035-000	004	
09	O-RING (33.5X3.0) 91304-HB3-003	001	
09	O-RING (33.5X3.0) 91304-HB3-003	001	
09	O-RING (33.5X3.0) 91304-HB3-003	001	
10	BOLT, HEX. (6X45) 92101-06045-0A	002	
10	BOLT, HEX. (6X45) 92101-06045-0A	002	
10	BOLT, HEX. (6X45) 92101-06045-0A	002	
11	BOLT, HEX. (6X56) 92000-06056-0A	003	
11	BOLT, HEX. (6X56) 92000-06056-0A	003	
11	BOLT, FLANGE (6X55) 95701-06055-00	003	
11	BOLT, FLANGE (6X55) 95701-06055-00	003	
11	BOLT, FLANGE (6X55) 95701-06055-00	003	
12	BOLT, HEX. (6X100) 92101-06100-0A	002	
12	BOLT, HEX. (6X100) 92101-06100-0A	002	
12	BOLT, HEX. (6X100) 92101-06100-0A	002	
13	BOLT, HEX. (6X140) 92101-06140-0A	001	
13	BOLT, HEX. (6X140) 92101-06140-0A	001	
13	BOLT, HEX. (6X140) 92101-06140-0A	001	
14	SCREW, PAN (6X16) 93500-06016-0A	002	
14	SCREW, PAN (6X16) 93500-06016-0A	002	
15	WASHER, PLAIN (6MM) 94101-06800	008	
15	WASHER, PLAIN (6MM) 94101-06800	005	
15	WASHER, PLAIN (6MM) 94101-06800	005	
15	WASHER, PLAIN (6MM) 94101-06800	008	
15	WASHER, PLAIN (6MM) 94101-06800	008	
15	WASHER, PLAIN (6MM) 94101-06800	005	
16	PIN A, DOWEL (10X14) 94301-10140	004	

Oil Filter & Oil Pump

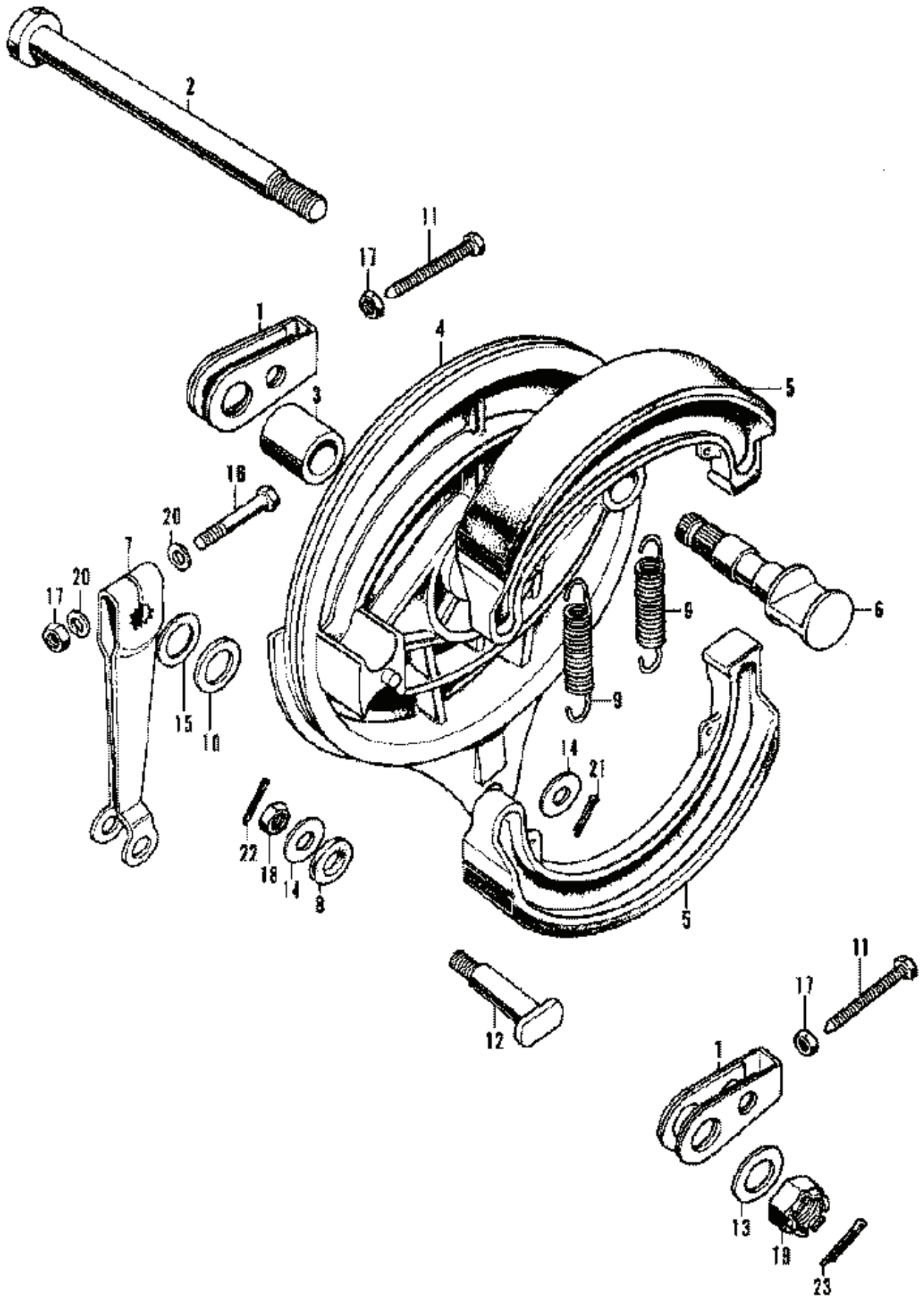


FRONT

Oil Filter & Oil Pump

REF#	PART	#REQ	REMARKS
01	PUMP ASSY., OIL 15200-286-030	001	
02	BODY, OIL PUMP 15201-312-000	001	
03	ROD, OIL PUMP 15205-286-020	001	
04	PLUNGER, OIL PUMP 15209-286-010	001	
05	PIN 15210-286-000	001	
06	WASHER 15281-286-000	001	
07	GASKET, OIL PUMP 15291-286-300	001	
08	SCREEN, OIL FILTER 15421-286-010	001	
09	ROTOR, OIL FILTER 15441-286-040	001	
10	CAP, OIL FILTER 15450-286-010	001	
11	NUT, LOCK (16MM) 90231-200-010	001	
11	NUT, LOCK (16MM) 90231-KCS-651	001	
12	WASHER 90404-286-010	001	
13	WASHER (16MM) 90431-292-000	001	
14	WASHER (16MM) 90481-292-000	001	
15	CIRCLIP (45MM) 90604-292-000	001	
16	O-RING (41X2) 91309-286-000	001	
17	BOLT, HEX. (6X32) 92101-06032-0A	003	
17	BOLT, HEX. (6X32) 92101-06032-0A	003	
17	BOLT, HEX. (6X32) 92101-06032-0A	003	
18	CIRCLIP (32MM) 94510-32000	001	

Rear Brake Panel



Rear Brake Panel (page.1)

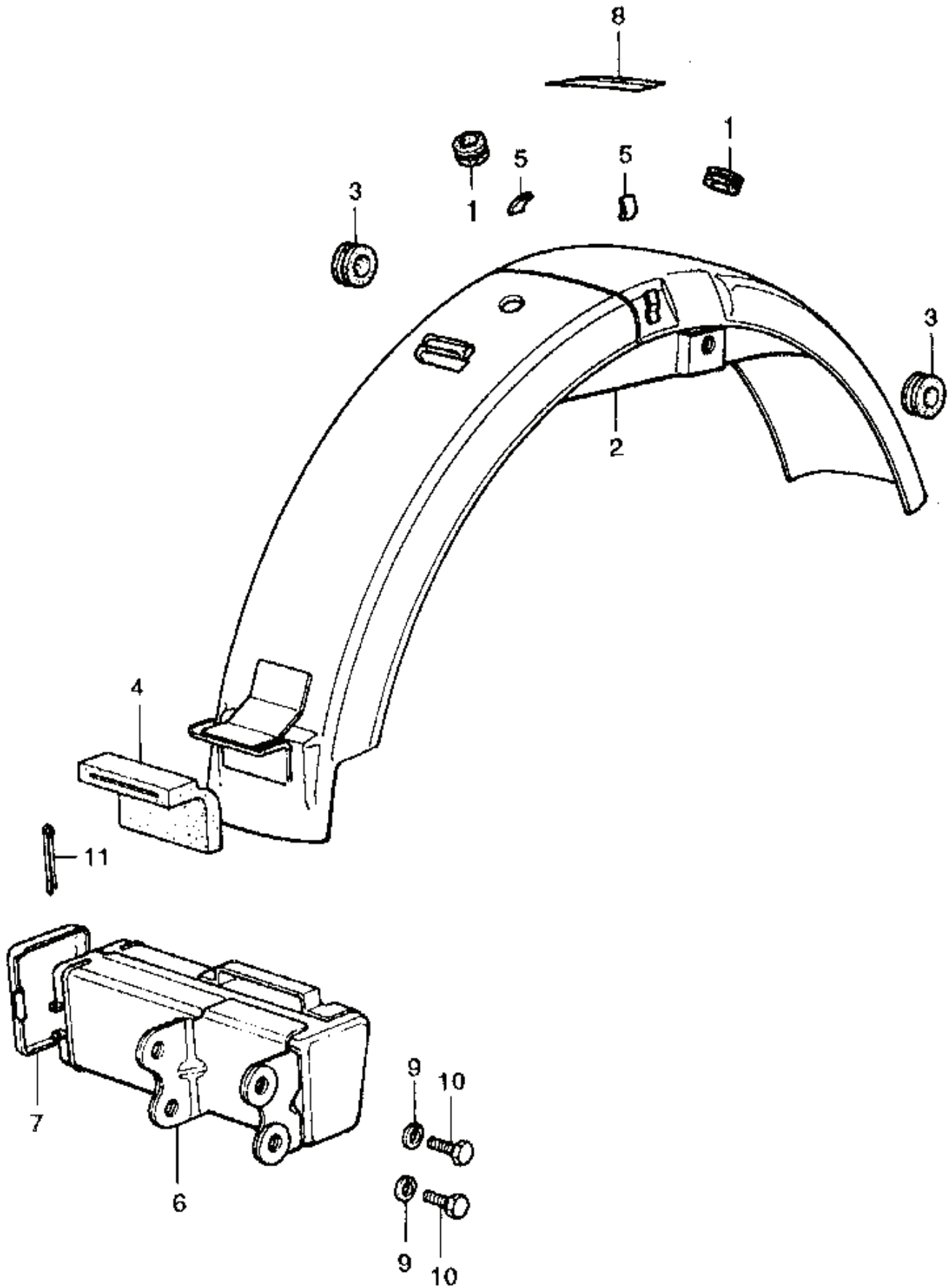
REF#	PART	#REQ	REMARKS
NI	SHOE SET, RR. BRAKE 06430-HM5-A80	001	
NI	SHOE SET, RR. BRAKE 06430-HM5-A80	001	
NI	SHOE SET, RR. BRAKE 06430-HM5-A80	001	
NI	SHOE SET, RR. BRAKE 06430-HM5-A80	001	
01	ADJUSTER 95014-17000	002	
01	ADJUSTER 95014-17000	002	
02	AXLE, RR. WHEEL 42301-286-020	001	
02	AXLE, RR. WHEEL 42301-286-020	001	
03	COLLAR, RR. 42313-286-000	001	
04	PANEL, RR. BRAKE 43100-286-010	001	
05	SHOE, RR. BRAKE 43120-KG4-006	002	
05	SHOE, RR. BRAKE 43120-KG4-006	002	
05	SHOE, RR. BRAKE 43120-KG4-006	002	
05	SHOE, RR. BRAKE 43120-KG4-006	002	
05	SHOE, RR. BRAKE 43120-KG4-006	002	
05	SHOE, RR. BRAKE 43120-KG4-006	002	
06	CAM, RR. BRAKE 43141-286-010	001	
07	ARM, RR. BRAKE 43410-333-670	001	
07	ARM, RR. BRAKE 43410-333-670	001	
08	RUBBER 43434-286-000	001	
09	SPRING, BRAKE SHOE 45133-240-000	002	
09	SPRING, FR. 45133-329-000	002	
10	DUST SEAL, BRAKE CAM 45134-250-000	001	
11	BOLT, CHAIN ADJ. 90119-258-000	002	
12	BOLT, RR. 90127-283-000	001	
13	WASHER (16.5X30) 90523-286-000	001	
14	WASHER A 90524-030-000	002	
15	WASHER (14MM) 90549-121-000	001	
16	BOLT, HEX. (6X35) 92201-06035-0A	001	
16	BOLT, HEX. (6X35) 92201-06035-0A	001	
16	BOLT, HEX. (6X35) 92201-06035-0A	001	

Rear Brake Panel (page.2)

- Page 66 -

21	SCREW, OVAL (5X16) 93700-05016-0A	001
22	NUT, HEX. (6MM) 94001-06200-0S	003
22	NUT, HEX. (6MM) 94001-06200-0S	002
22	NUT, HEX. (6MM) 94001-06200-0S	003
22	NUT, HEX. (6MM) 94001-06200-0S	002
22	NUT, HEX. (6MM) 94001-06200-0S	002
22	NUT, HEX. (6MM) 94001-06200-0S	003
22	NUT, HEX. (6MM) 94001-06200-0S	003
22	NUT, HEX. (6MM) 94001-06200-0S	002
22	NUT, HEX. (6MM) 94001-06200-0S	003
22	NUT, HEX. (6MM) 94001-06200-0S	002
22	NUT, HEX. (6MM) 94002-06000-0S	001
22	NUT, HEX. (6MM) 94002-06000-0S	001
22	NUT, HEX. (6MM) 94001-06200-0S	002
22	NUT, HEX. (6MM) 94001-06200-0S	003
23	WASHER, PLAIN (6MM) 94101-06800	004
23	WASHER, PLAIN (6MM) 94101-06800	004
23	WASHER, PLAIN (6MM) 94101-06800	004
24	PIN, SPLIT (2.0X15) 94201-20150	002
25	PIN, SPLIT (2.0X35) 94201-20350	001
25	PIN, SPLIT (2.0X35) 94201-20350	001
25	PIN, SPLIT (2.0X22) 94201-20220	001
25	PIN, SPLIT (2.0X35) 94201-20350	001
25	PIN, SPLIT (2.0X35) 94201-20350	001
25	PIN, SPLIT (2.0X35) 94201-20350	001
25	PIN, SPLIT (2.0X35) 94201-20350	001
25	PIN, COTTER (2.0X22) 94201-29220	001

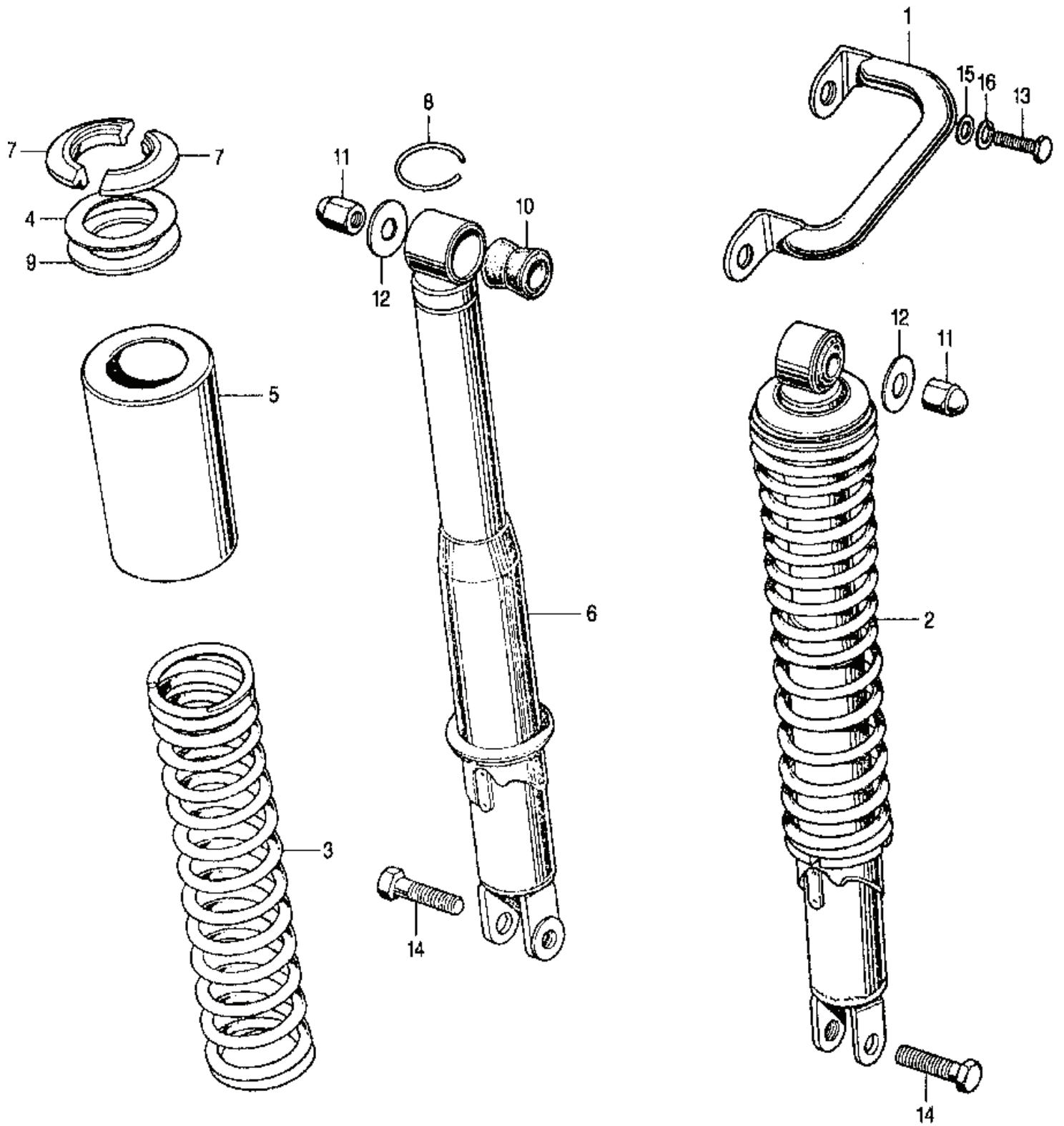
Rear Fender & Toolbox



Rear Fender & Toolbox

REF#	PART	#REQ	REMARKS
01	GROMMET, HARN 32983-011-000	002	
02	FENDER, RR. *MRCR2* 80100-345-670XW	001	(CHROME PLATING)
03	RUBBER, RR. 80102-292-670	002	
04	RUBBER B, RR. 80103-286-020	001	
05	*95003-17001-10M 95003-17010-10S	002	
06	BOX, TOOL *NH1* 83500-286-030B	001	(BLACK)
07	CAP, TOOL BOX *NH1* 83541-286-000B	001	(BLACK)
08	MARK, TIRE CAUTION 87505-344-600	001	
09	WASHER, SPRING (6MM) 94111-06000	004	
10	BOLT, HEX. (6X12) 92101-06012-0A	004	
10	BOLT, HEX. (6X12) 92101-06012-0A	004	
11	BOLT, HEX. (6X12) 92101-06012-0A	004	
11	BOLT, HEX. (6X12) 92101-06012-0A	004	
11	BOLT, HEX. (6X12) 92101-06012-0A	004	
11	PIN, SPLIT (2.0X35) 94201-20350	001	
11	PIN, SPLIT (2.0X35) 94201-20350	001	

Rear Shock Absorber



Rear Shock Absorber

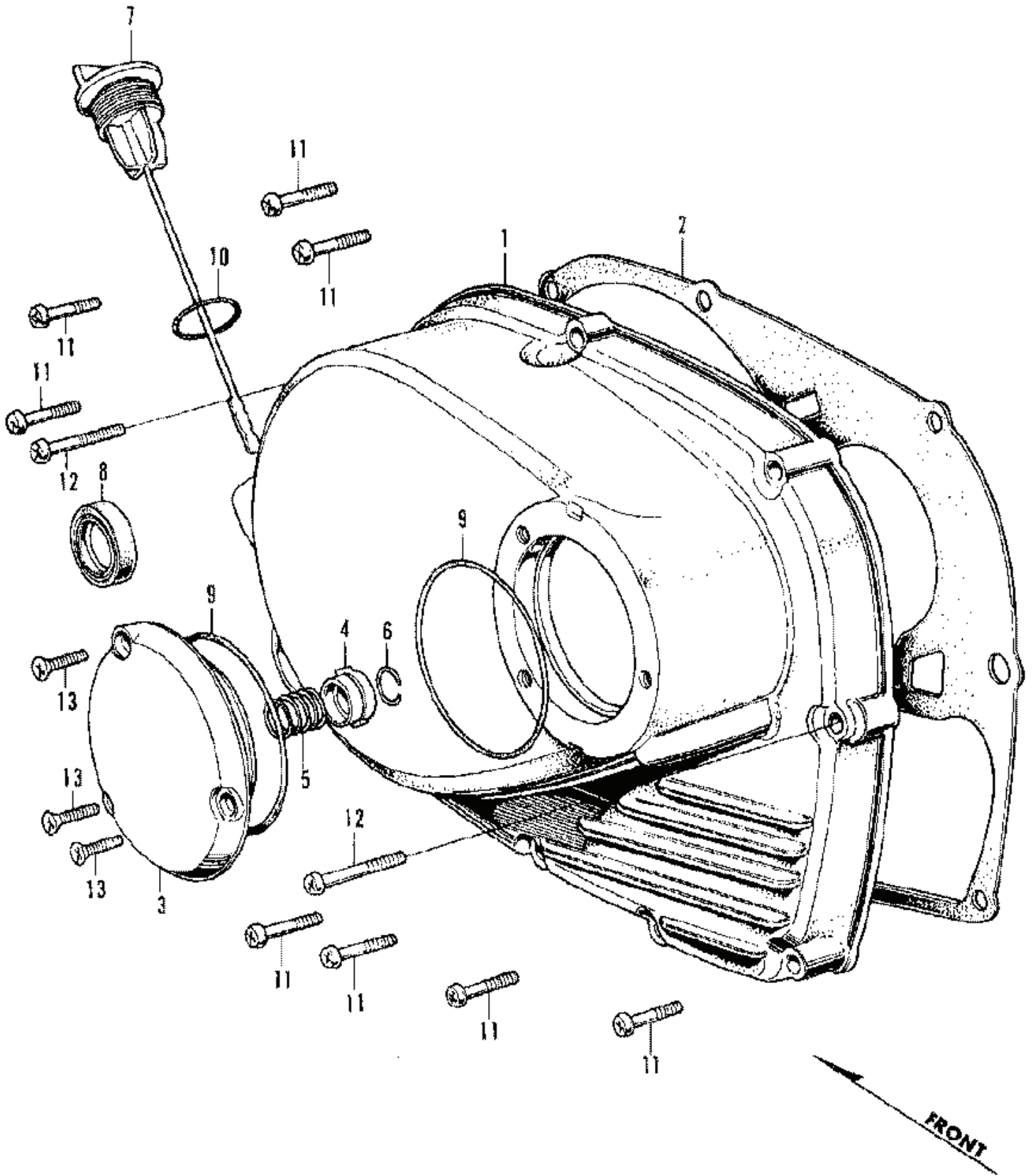
- Page 70 -

REF#	PART	#REQ	REMARKS
01	GRIP, SIDE 50316-317-670	001	
02	S/ABS ASSY. *MRCR2* 52400-455-670XW	002	(CHROME PLATING)
03	SPRING, RR. SHOCK 52401-317-700	002	
04	JOINT (UPPER) 52403-317-700	002	
05	DAMPER, RR. RUBBER 52410-317-700	002	
06	CASE, SHOCK *MRCR2* 52421-292-670XW	002	(CHROME PLATING)
07	ADJUSTER, RR. 52422-331-003	002	
08	STOPPER, SPRING SEAT 52424-331-003	004	
09	SEAT, SPRING (LOWER) 52458-317-700	002	
10	NUT, LOCK (9MM) 52482-331-003	002	
11	RUBBER, JOINT 52484-292-000	002	
12	RUBBER, STOPPER 52517-331-003	002	
13	NUT, FLANGE (10MM) 90309-315-000	002	
14	WASHER (10.3MM) 90527-230-000	002	
15	BOLT, HEX. (8X16) 92101-08016-0A	001	
15	BOLT, HEX. (8X16) 92101-08016-0A	001	
16	BOLT, HEX. (10X32) 93101-10032-0B	002	
16	BOLT, HEX. (10X32) 93101-10032-0B	002	
17	WASHER, PLAIN (8MM) 94101-08000	001	

Rear Wheel (page.2)

12	FLAP, TIRE (18) 42713-268-003	001
13	BALANCER (20G) 44606-283-000	AR
13	BALANCER (15G) 44607-283-000	AR
13	BALANCER (10G) 44608-283-000	AR
13	BALANCER, WHEEL (5G) 44609-283-000	AR
14	BOLT 90128-283-010	004
15	NUT, HEX. (10MM) 94031-10000	004
15	NUT, HEX. (10MM) 94031-10000	004
16	CIRCLIP (69MM) 90665-286-000	001
17	DUST SEAL 91253-286-013	001
18	WASHER A5, TONGUED 94108-15000	002
19	BEARING (6303U) 96140-63030-10	001
20	BEARING (6304U) 96140-63040-10	001
21	SPOKE B (9X159.5) 97339-52159-10	018
21	SPOKE B (9X159.5) 97339-52159-10	018
22	SPOKE B (9X159) 97715-52158-10	018
22	SPOKE B (9X159) 97715-52158-10	018

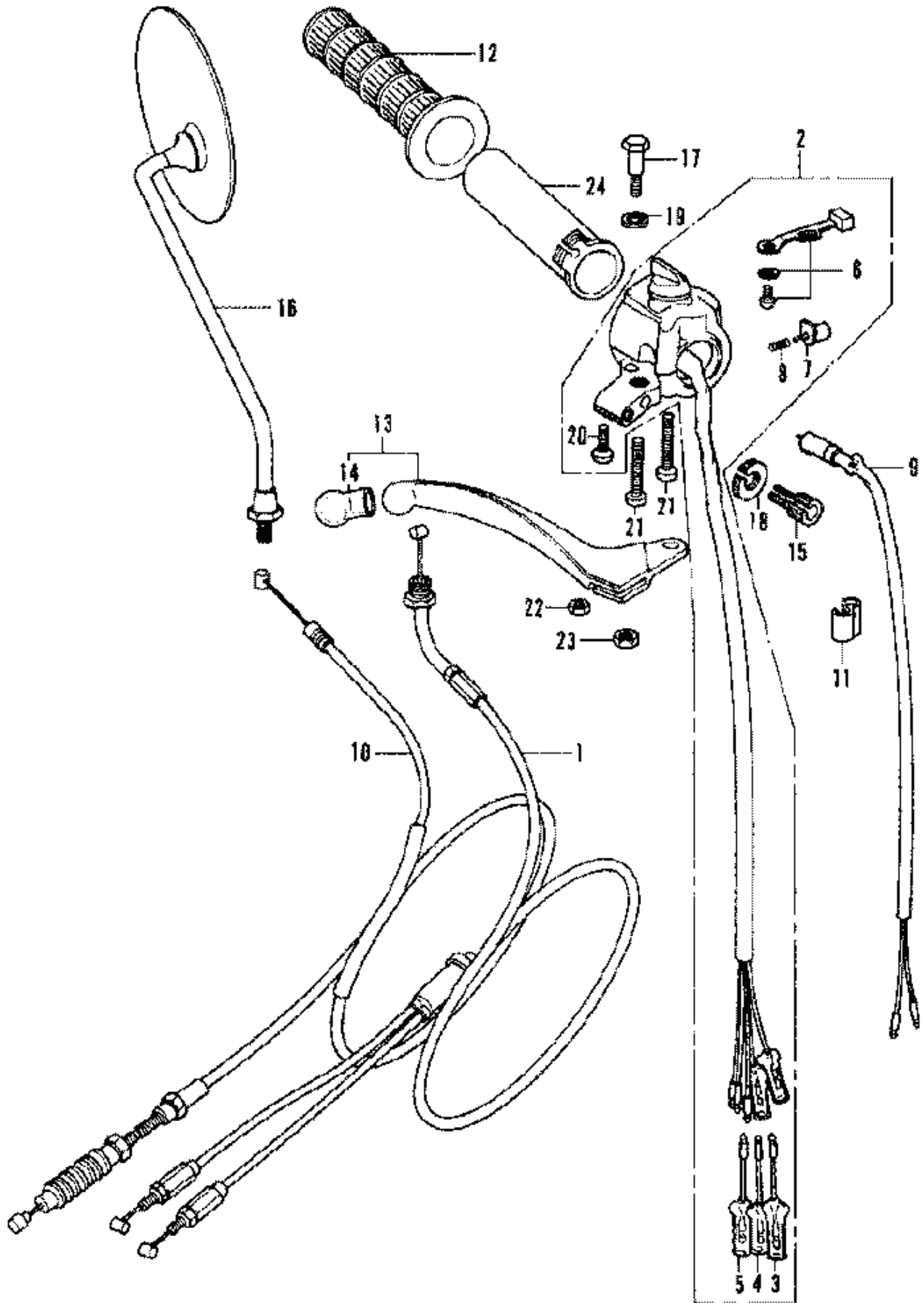
Right Crankcase Cover



Right Crankcase Cover

REF#	PART	#REQ	REMARKS
01	COVER, R. CRANKCASE 11331-286-030	001	
02	GASKET, R. 11394-286-306	001	
02	GASKET, R. 11394-286-306	001	
03	COVER, OIL FILTER 15481-312-000	001	
04	METAL, OIL GUIDE 15594-286-000	001	
05	SPRING 15595-286-000	001	
06	RING 15597-286-000	001	
07	DIPSTICK, OIL 15650-286-010	001	
08	OIL SEAL (18X29X7) 91204-286-003	001	
09	O-RING (63.5X2) 91310-286-010	002	
09	O-RING (63.5X2) 91355-415-000	002	
10	O-RING (23X2) 91354-371-000	001	
10	O-RING (23X2) 91354-371-000	001	
11	SCREW, PAN (6X28) 93500-06028-0A	008	
11	SCREW, PAN (6X28) 93500-06028-0A	008	
12	SCREW, PAN (6X35) 93500-06035-0A	002	
12	SCREW, PAN (6X35) 93500-06035-0A	002	
13	SCREW, OVAL (5X16) 93700-05016-0B	003	

Right Handle Switch & Cable

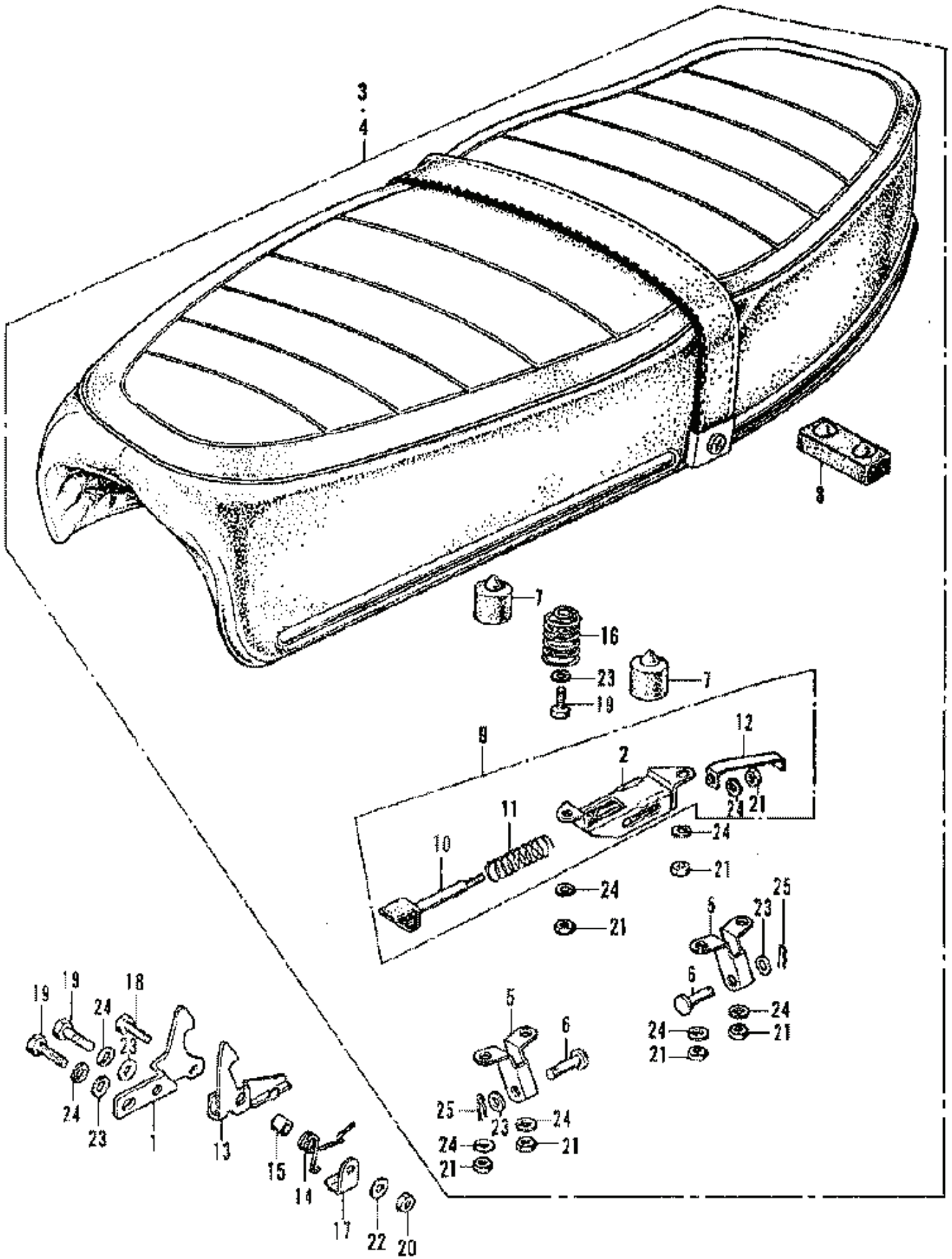


Right Handle Switch & Cable (page.1)

REF#	PART	#REQ	REMARKS
01	CABLE, THROTTLE 17910-286-000	001	
02	SW, STARTER LIGHTING 35300-317-671	001	
03	SUB-WIRE A 35301-310-000	001	
04	SUB-WIRE B 35302-310-000	001	
05	WIRE C 35303-346-620	001	
05	WIRE C 35303-346-620	001	
06	KNOB 35315-235-000	001	
07	BUTTON 35317-001-310	001	
08	SPRING, BUTTON 35318-259-000	001	
09	SWITCH, FR. STOP 35340-320-670	001	
09	SWITCH, FR. STOP 35340-344-830	001	
10	CABLE, FR. BRAKE 45450-329-010	001	
10	CABLE, FR. BRAKE 45450-329-010	001	
11	CLIP, FR. 45465-270-000	001	
12	GRIP, R. HANDLEBAR 53165-342-670	001	
13	LEVER, R. HANDLEBAR 53175-KY0-980	001	
13	LEVER, R. HANDLEBAR 53175-KY0-980	001	
13	LEVER, R. HANDLEBAR 53175-KY0-980	001	
13	LEVER, R. HANDLEBAR 53175-KY0-980	001	
13	LEVER, R. HANDLEBAR 53175-KY0-980	001	
13	LEVER, R. HANDLEBAR 53175-KY0-980	001	
13	LEVER, R. HANDLEBAR 53175-KY0-980	001	
14	CAP A, LEVER 95010-16001	001	
14	CAP A, LEVER 95010-16001	001	
14	CAP A, LEVER 95010-16001	001	

15	BOLT, WIRE ADJUSTING 53192-268-000	001
16	MIRROR, R. 88110-333-611	001
16	MIRROR, R. 88110-240-000	001
16	MIRROR, R. 88110-333-611	001
17	BOLT 90114-310-000	001
18	NUT, FIXING 90321-315-670	001
18	NUT, FIXING 90321-315-670	001
19	WASHER (7X12) 90501-310-000	001
20	SCREW, PAN (5X6) 93500-05006-0A	001
21	SCREW, PAN (5X25) 93500-05025-0A	002
22	NUT, HEX. (6MM) 94001-06200-0S	001
22	NUT, HEX. (6MM) 94001-06200-0S	001
22	NUT, HEX. (6MM) 94001-06200-0S	001
22	NUT, HEX. (6MM) 94001-06200-0S	001
22	NUT, HEX. (6MM) 94001-06200-0S	001
22	NUT, HEX. (6MM) 94001-06200-0S	001
22	NUT, HEX. (6MM) 94001-06200-0S	001
22	NUT, HEX. (6MM) 94001-06200-0S	001
23	NUT, HEX. (10MM) 94001-10000-0S	001
24	PIPE A 95014-51100	001

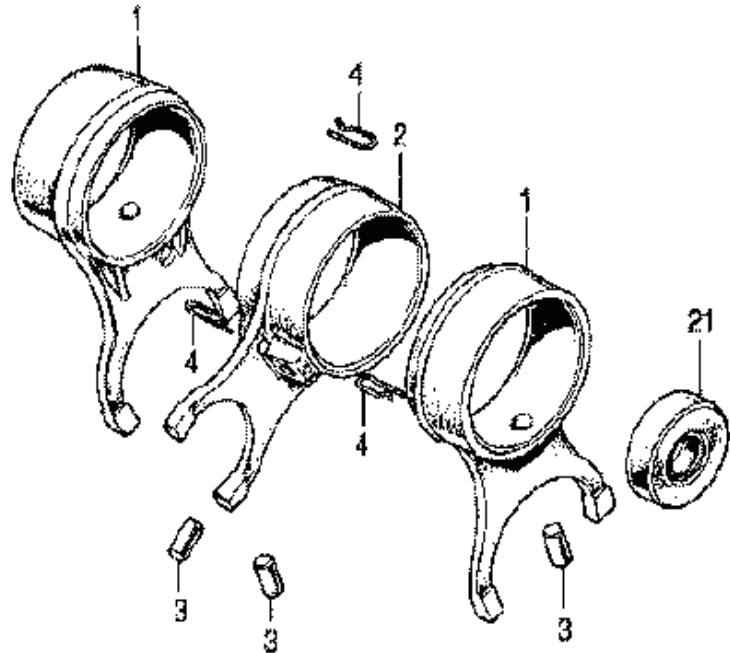
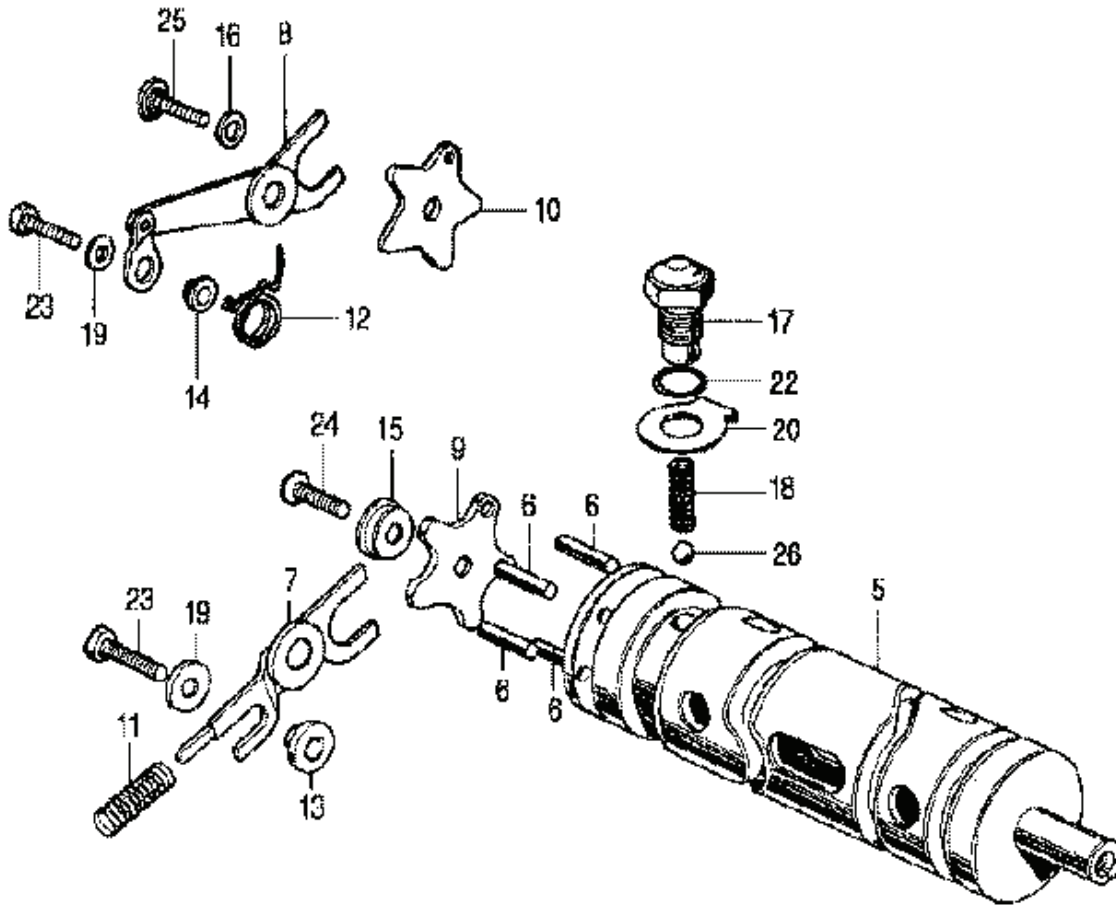
Seat



Seat

REF#	PART	#REQ	REMARKS
01	SEAT ASSY. *NH1L* 77200-455-670A	001	(BLACK)
01	SEAT ASSY. *NH1L* 77200-345-670A	001	(BLACK)
02	HINGE, SEAT 77201-317-670	002	
03	PIN, SEAT HINGE 77203-317-670	002	
04	RUBBER, SEAT SETTING 77204-286-020	002	
05	RUBBER B 77205-286-000	001	
06	PLATE, HELMET GUARD 77206-344-300	001	
07	RUBBER, HELMET GUARD 77207-344-000	001	
08	BAR ASSY., SEAT LOCK 77220-340-003	001	
09	RUBBER 77228-340-003	002	
09	RUBBER 77228-340-003	002	
09	RUBBER 77228-340-003	002	
10	COLR, SEAT LOCK BAR 77229-340-003	002	
10	COLR, SEAT LOCK BAR 77229-340-003	002	
10	COLR, SEAT LOCK BAR 77229-340-003	002	
11	LOCK ASSY., SEAT 77230-107-711	001	
11	LOCK ASSY., SEAT 77230-107-711	001	
12	LID, SEAT (LOWER) 77250-342-300	001	
13	BAG, SERVICE BOOK 77251-342-000	001	
14	GROMMET, A/CLNR HSG 83551-300-000	001	
15	WASHER, PLAIN (6MM) 94103-06800	002	
15	WASHER, PLAIN (6MM) 94103-06800	002	
16	SCREW, FLAT (6X12) 93600-06012-0G	002	
16	SCREW, FLAT (6X12) 93600-06012-0G	002	
17	SCREW, TAPPING (5X8) 93901-25080	002	
18	NUT, HEX. (6MM) 94001-06200-0S	008	
18	NUT, HEX. (6MM) 94001-06200-0S	008	
18	NUT, HEX. (6MM) 94001-06200-0S	008	
18	NUT, HEX. (6MM) 94001-06200-0S	008	
18	NUT, HEX. (6MM) 94001-06200-0S	008	
18	NUT, HEX. (6MM) 94001-06200-0S	008	
18	NUT, HEX. (6MM) 94001-06200-0S	008	
18	NUT, HEX. (6MM) 94001-06200-0S	008	
19	WASHER, PLAIN (6MM) 94101-06800	004	
19	WASHER, PLAIN (6MM) 94101-06800	004	
19	WASHER, PLAIN (6MM) 94101-06800	004	
20	WASHER, SPRING (6MM) 94111-06000	008	
21	PIN, LOCK (6MM) 94251-06000	002	
22	RUBBER C 95011-63000	001	

Shift Drum & Shift Fork

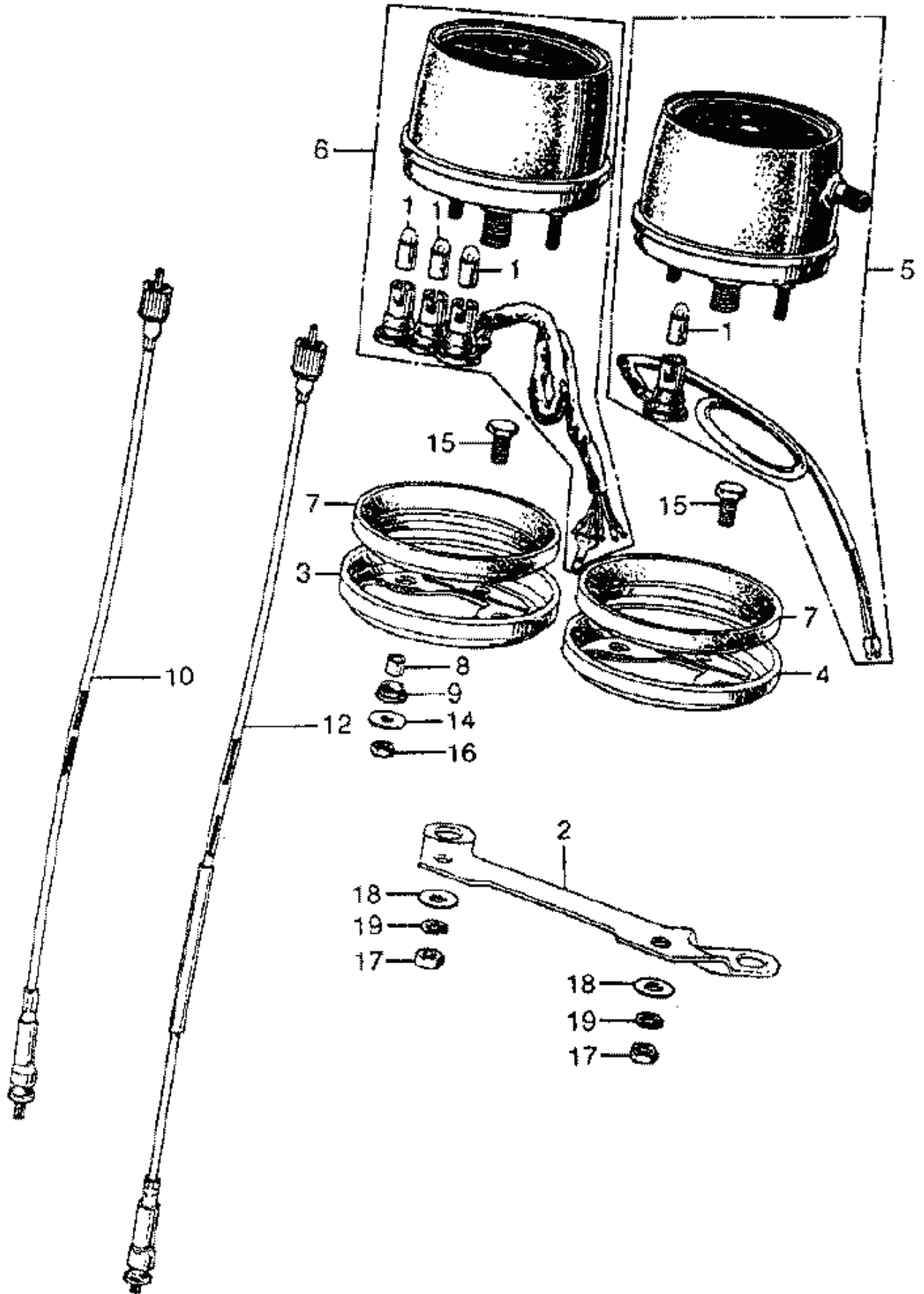


FRONT

Shift Drum & Shift Fork

REF#	PART	#REQ	REMARKS
01	FORK A, GEARSHIFT 24211-286-020	002	
02	FORK B, GEARSHIFT 24212-286-030	001	
03	PIN 24261-283-000	003	
04	CLIP 24263-286-000	003	
05	DRUM, GEARSHIFT 24301-286-050	001	
06	PIN, GEARSHIFT DRUM 24421-230-000	004	
07	STOPPER 24430-286-030	001	
08	STOPPER, SHIFT DRUM 24430-286-040	001	
09	PLATE 24434-286-020	001	
10	PLATE 24434-286-030	001	
11	SPRING 24435-286-020	001	
12	SPRING 24435-286-030	001	
13	COLLAR 24438-283-000	001	
14	COLLAR B 24439-286-000	001	
15	COLLAR 24438-286-000	001	
16	COLLAR A 24438-286-010	001	
17	SCREW 24445-286-020	001	
18	SPRING 24447-286-000	001	
19	WASHER 90417-041-000	001	
20	WASHER, LOCK (12MM) 90434-286-000	001	
21	OIL SEAL (12X25X4.5) 91202-426-003	001	
21	OIL SEAL (12X25X4.5) 91202-426-003	001	
21	OIL SEAL (12X25X4.5) 91202-426-003	001	
21	OIL SEAL (12X25X4.5) 91202-426-003	001	
22	O-RING (11.5X2) 91304-216-000	001	
23	BOLT, HEX. (6X20) 92101-06020-0A	001	
23	BOLT, HEX. (6X20) 92101-06020-0A	001	
24	SCREW, FLAT (6X20) 93600-06020-0A	001	
24	SCREW, FLAT (6X20) 93600-06020-0A	001	
25	SCREW 24441-286-000	001	
26	BALL (#10) (5/16) 96211-10000	001	

Speedometer & Tachometer



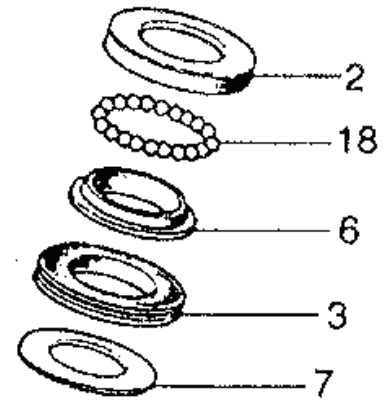
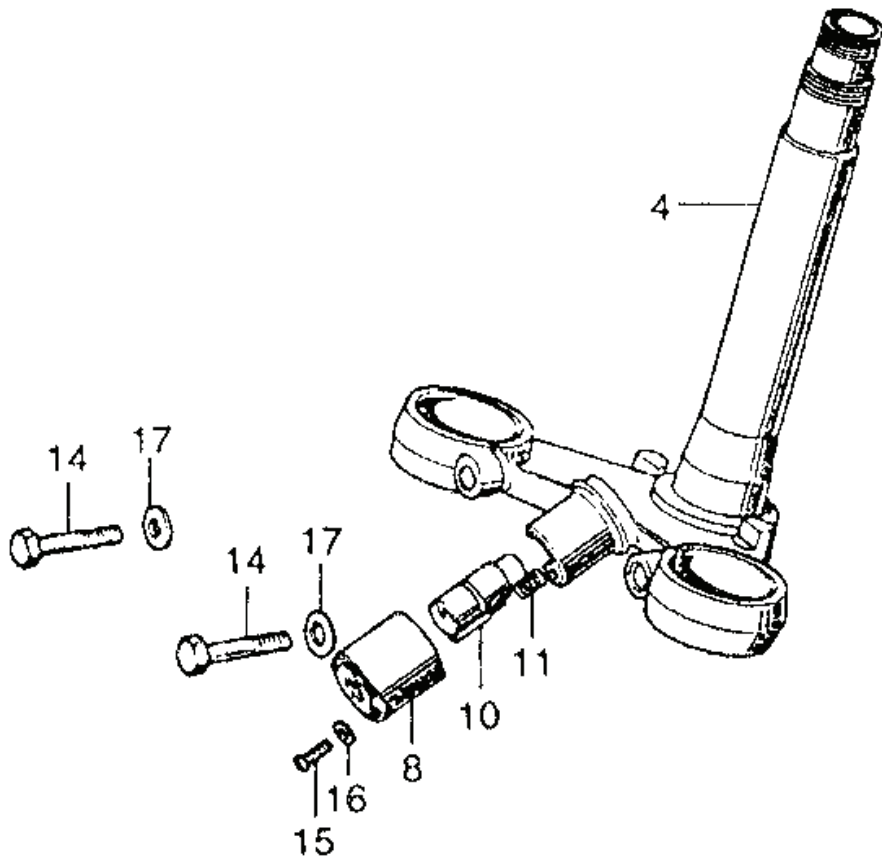
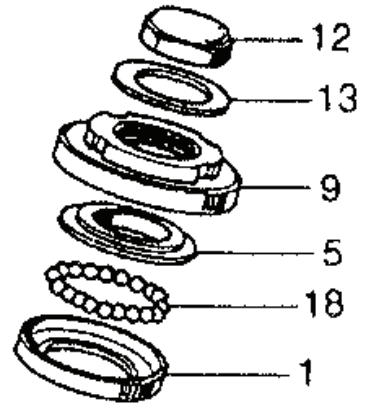
Speedometer & Tachometer

REF#	PART	#REQ	REMARKS
01	BULB (12V 3.4W) 34902-259-000	004	
02	BRACKET, METER 37211-317-000	001	
03	RING, R. METER SET 37212-307-670	001	
04	RING, L. METER SET 37213-307-670	001	
05	SPEEDOMETER ASSY. 37230-344-671	001	
06	TACHOMETER ASSY. 37240-344-008	001	
07	RUBBER, METER 37242-319-000	002	
08	COLR, METER SETTING 37243-307-670	004	
09	RUB, METER SETTING 37244-307-670	004	
10	CABLE, TACHOMETER 37260-286-000	001	
10	CABLE, TACHOMETER 37260-MA1-730	001	
10	CABLE, TACHOMETER 37260-MA1-730	001	
10	CABLE, TACHOMETER 37260-MA1-730	001	
10	CABLE, TACHOMETER 37260-MA1-730	001	
12	CABLE, SPEEDOMETER 44830-KB5-720	001	
12	CABLE, SPEEDOMETER 44830-KB5-720	001	
12	CABLE, SPEEDOMETER 44830-KB5-720	001	
12	CABLE, SPEEDOMETER 44830-KB5-720	001	
12	CABLE, SPEEDOMETER 44830-KB5-720	001	
12	CABLE, SPEEDOMETER 44830-KB5-720	001	
14	WASHER B 90525-030-000	004	
15	BOLT, HEX. (8X25) 95100-08025-00	002	
15	BOLT, HEX. (8X25) 95100-08025-00	002	
16	NUT, HEX. (6MM) 94001-06200-0S	004	
16	NUT, HEX. (6MM) 94001-06200-0S	004	
16	NUT, HEX. (6MM) 94001-06200-0S	004	
16	NUT, HEX. (6MM) 94001-06200-0S	004	
16	NUT, HEX. (6MM) 94001-06200-0S	004	
16	NUT, HEX. (6MM) 94001-06200-0S	004	
16	NUT, HEX. (6MM) 94001-06200-0S	004	
16	NUT, HEX. (6MM) 94001-06200-0S	004	
16	NUT, HEX. (6MM) 94001-06200-0S	004	
17	NUT, HEX. (8MM) 94001-08000-0S	002	
18	WASHER, PLAIN (8MM) 94101-08000	002	
19	WASHER, SPRING (8MM) 94111-08000	002	

Starting Motor

REF#	PART	#REQ	REMARKS
01	CHAIN (DID219-54L) 28101-402-003	001	
01	CHAIN (DID219-54L) 28101-402-003	001	
02	SPROCKET, STARTING 28110-286-010	001	
03	PLATE 28117-286-010	001	
04	MOTOR ASSY., STARTER 31200-286-405	001	
05	BRUSH SET 31201-230-174	001	
06	SPROCKET 31202-286-158	001	
07	SPRING, BRUSH 31204-230-174	002	
07	SPRING, BRUSH 31204-230-174	002	
08	BOLT, SETTING 31205-286-158	002	
09	O-RING (60X1.4) 31206-402-008	002	
09	O-RING (60X1.4) 31206-402-008	002	
10	CABLE, STARTER MOTOR 32410-286-000	001	
10	CABLE, STARTER MOTOR 32410-286-000	001	
11	COVER 32411-230-000	001	
11	COVER 32411-230-000	001	
12	O-RING 91309-MA6-000	001	
12	O-RING 91309-MA6-000	001	
12	O-RING 91309-MA6-000	001	
13	BOLT, HEX. (6X12) 92101-06012-0A	001	
13	BOLT, HEX. (6X12) 92101-06012-0A	001	
13	BOLT, HEX. (6X12) 92101-06012-0A	001	
14	SCREW, PAN (6X25) 93500-06025-0A	002	
15	NUT, HEX. (6MM) 94002-06000-0S	001	
15	NUT, HEX. (6MM) 94002-06000-0S	001	
16	WASHER, SPRING (6MM) 94111-06000	003	

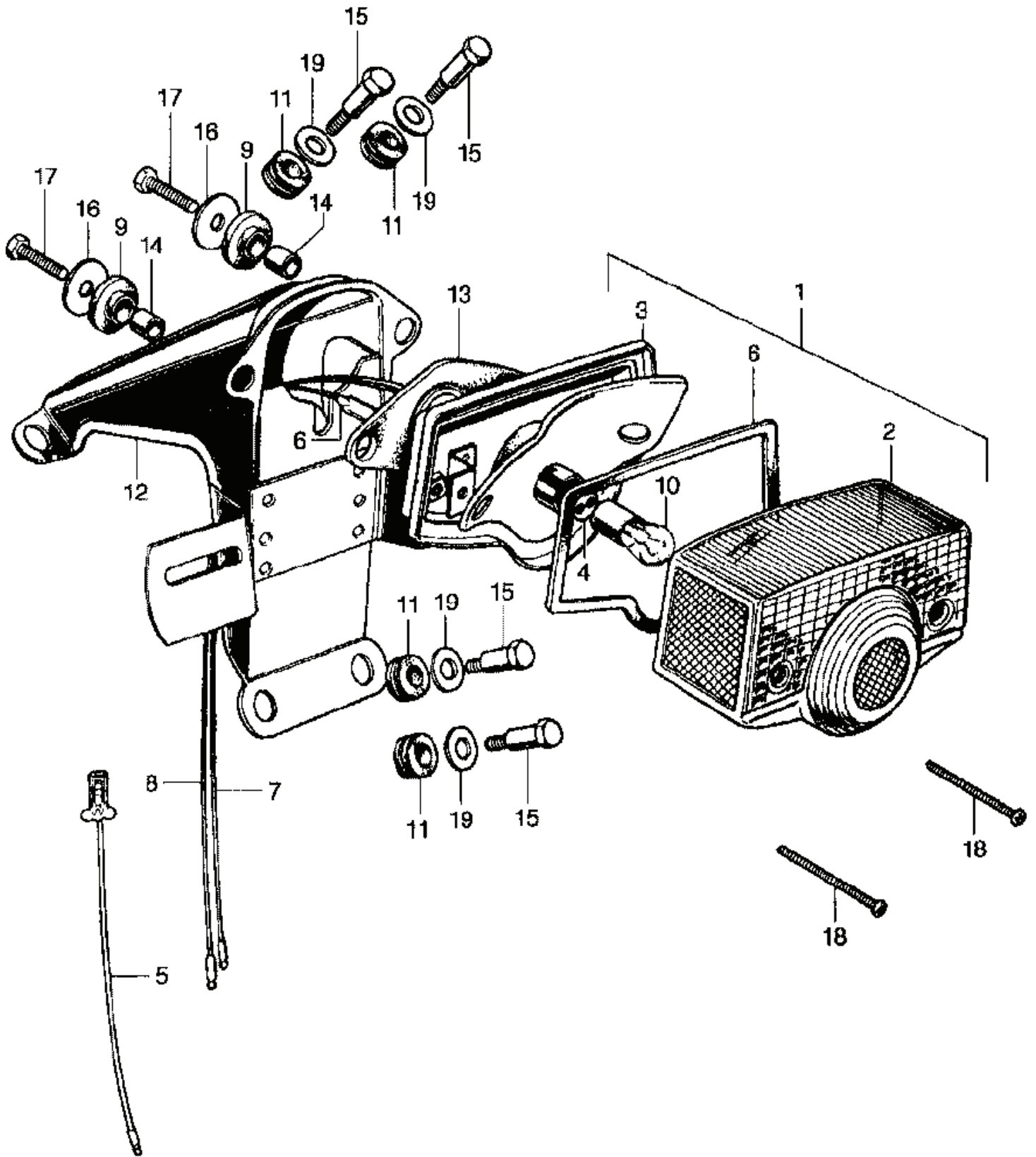
Steering Stem



Steering Stem

REF#	PART	#REQ	REMARKS
01	CLIP, FR. 45465-028-000	001	
02	RACE 50301-268-010	001	
02	RACE 50301-268-010	001	
02	RACE 50301-268-010	001	
03	RACE, STEERING BALL 50302-268-010	001	
03	RACE, STEERING BALL 50302-268-010	001	
03	RACE, STEERING BALL 50302-268-010	001	
04	DUST SEAL 53214-250-000	001	
04	DUST SEAL 53214-250-000	001	
05	STEM, STEERING *NH1* 53200-333-010B	001	(BLACK)
05	STEM, STEERING *NH1* 53200-333-010B	001	(BLACK)
06	RACE 53211-268-010	001	
06	RACE 53211-268-010	001	
06	RACE 53211-268-010	001	
07	RACE, STEERING CONE 53212-250-010	001	
07	RACE, STEERING CONE 53212-250-010	001	
07	RACE, STEERING CONE 53212-250-010	001	
08	WASHER 53215-250-000	001	
09	COVER 53215-317-000	001	
10	THREAD (UPPER) 53220-286-000	001	
11	LOCK, HANDLEBAR 35010-230-010	001	
11	LOCK, HANDLEBAR 35010-230-010	001	
12	SPRING 53631-268-020	001	
13	NUT, STEERING STEM 90304-415-000	001	
13	NUT, STEERING STEM 90304-415-000	001	
13	NUT, STEERING STEM 90304-415-000	001	
13	NUT, STEERING STEM 90304-415-000	001	
14	WASHER 90503-283-000	001	
15	BOLT, HEX. (8X32) 92101-08032-0B	002	
15	BOLT, HEX. (8X32) 92101-08032-0B	002	
15	BOLT, HEX. (8X32) 92101-08032-0B	002	
16	SCREW, PAN (3X8) 93500-03008-0A	001	
17	WASHER, PLAIN (3MM) 94101-03000	001	
18	WASHER, PLAIN (8MM) 94102-08000	002	
19	BALL (#8) (1/4) 96211-08000	037	

Taillight



Taillight

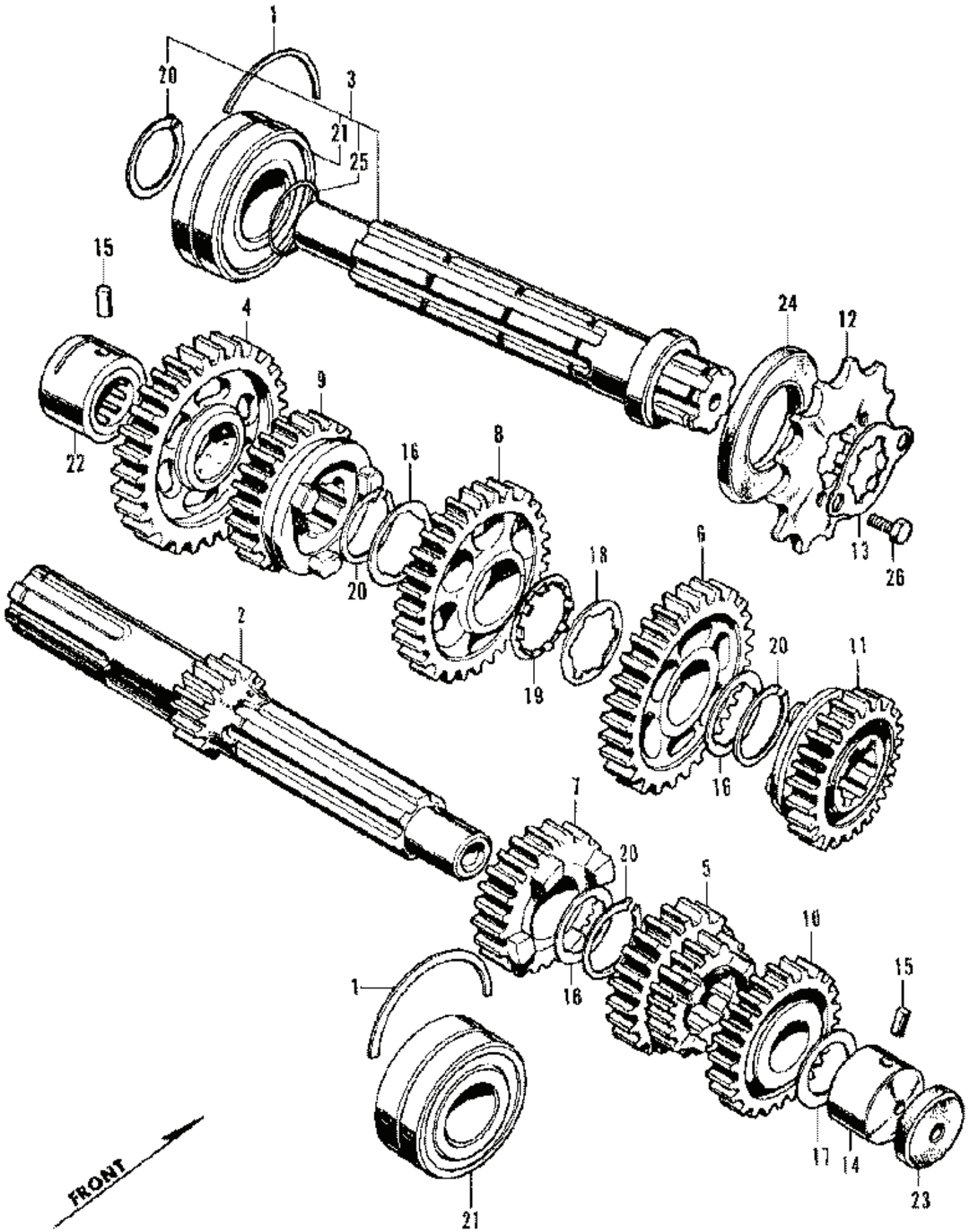
REF#	PART	#REQ	REMARKS
01	TAILLIGHT UNIT 33701-342-671	001	
02	LENS, TAILLIGHT 33702-341-671	001	
03	BASE, TAILLIGHT 33703-342-671	001	
04	WIRE, TAILLIGHT 33708-098-000	001	
04	WIRE, TAILLIGHT 33708-098-000	001	
05	CABLE 33712-342-670	001	
06	GSKT, TAILLIGHT LENS 33709-341-671	001	
07	WIRE, STOP LIGHT 33710-342-670	001	
08	WIRE, TAILLIGHT 33711-342-670	001	
09	GASKET B 33719-077-671	002	
10	BULB (12V 27/7W) 34906-MG9-771	001	
10	BULB (12V 27/7W) 34906-MG9-771	001	
11	RUBBER, RR. 80101-283-000	004	
12	BRACKET *NH1* 84701-341-670B	001	(BLACK)
14	COLR, TAILLIGHT UNIT 84706-342-000	002	
15	BOLT 90162-283-000	004	
15	BOLT 90162-283-000	004	
16	WASHER, PLAIN (20MM) 90581-310-000	002	
16	WASHER, PLAIN (20MM) 90581-310-000	002	
17	BOLT, HEX. (5X20) 92101-05020-0A	002	
17	BOLT, HEX. (5X20) 92101-05020-0A	002	
17	BOLT, HEX. (5X20) 92101-05020-0A	002	
18	SCREW, PAN (4X55) 93500-04055-0B	004	
19	WASHER, PLAIN (8MM) 94101-08000	004	

Tools

- Page 92 -

REF#	PART	#REQ	REMARKS
01	BAG, TOOL 89101-ME5-670	001	
01	BAG, TOOL 89101-ME5-670	001	
03	WRENCH, EYE (22MM) 99006-22000	001	
04	HANDLE (12MM) 99006-12000	001	
05	SPANNER, PIN 99007-45000	001	
06	WRENCH, BOX (P21) 99004-21001	001	
08	SPANNER (8X12) 99001-08120	001	
09	SPANNER (10X14) 99001-10140	001	
10	SPANNER (17X19) 99001-17190	001	
11	PLIERS (135) 99002-13500	001	
12	DRIVER 1 (NO.2) 99003-10000	001	
13	DRIVER 2 (NO.3) 99003-20000	001	
14	DRIVER 3 (NO.2) 99003-30000	001	
15	LEVER 99003-40000	001	
16	GRIP, SCREW DRIVER 99003-50000	001	

Transmission



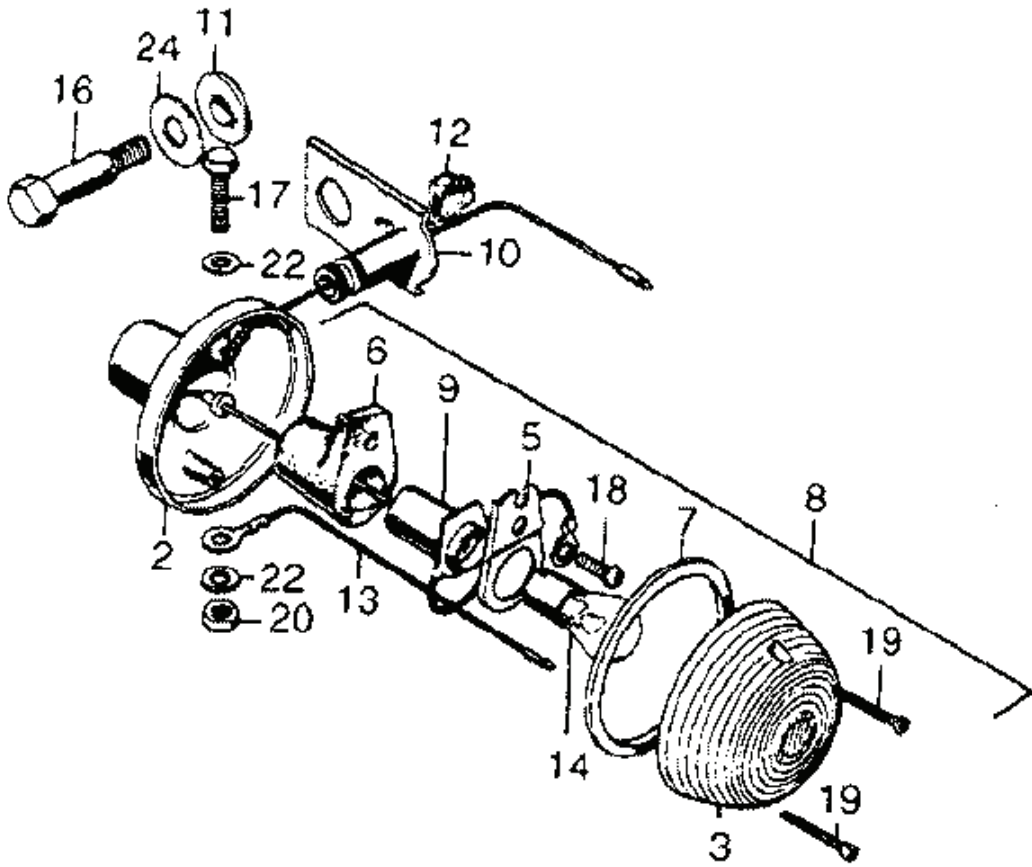
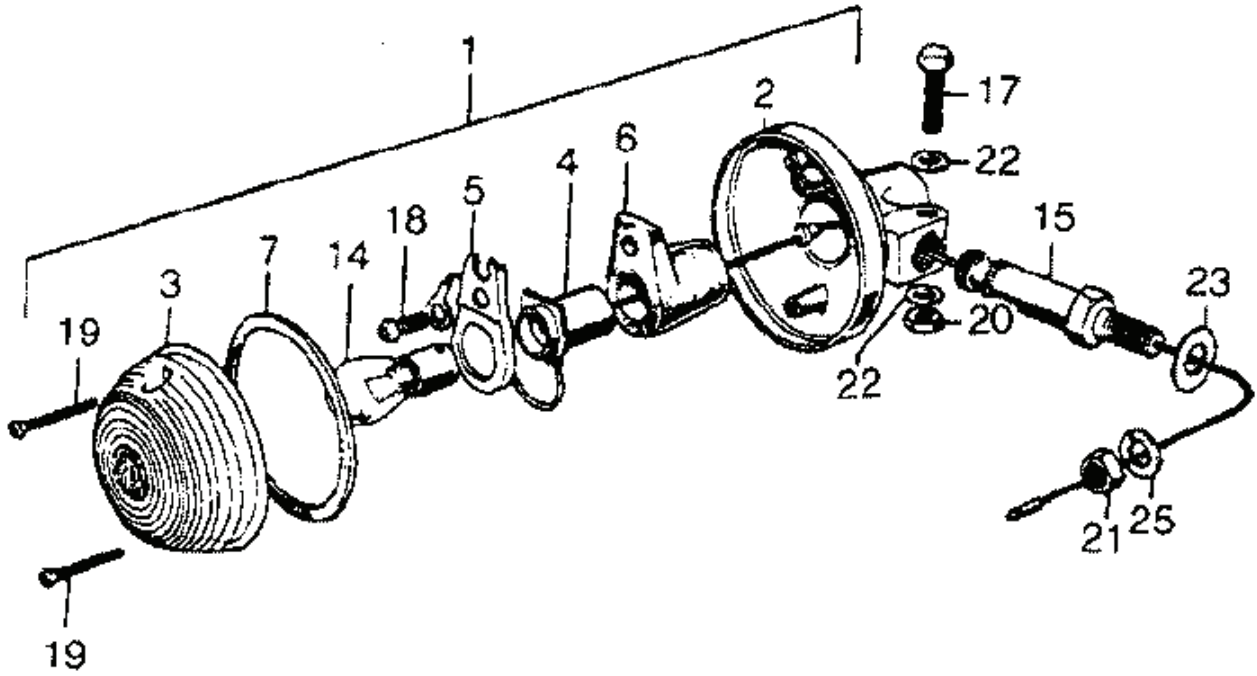
Transmission (page.1)

REF#	PART	#REQ	REMARKS
01	SET-RING (520) 95015-25200	002	
01	SET-RING (520) 95015-25200	002	
02	MAINSHAFT (17T) 23211-286-070	001	
03	COUNTERSHAFT, TRANS 23220-286-030	001	
04	GEAR (40T) 23420-286-030	001	
05	GEAR (22T,26T) 23431-286-030	001	
06	GEAR (36T) 23441-286-020	001	
07	GEAR (28T) 23451-286-030	001	
08	GEAR (33T) 234A1-390-315	001	
08	GEAR (33T) 234A1-390-315	001	
08	GEAR (33T) 234A1-390-315	001	
08	GEAR (33T) 234A1-390-315	001	
09	GEAR (33T) 234A1-390-315	001	
09	GEAR (33T) 234A1-390-315	001	
09	GEAR (33T) 234A1-390-315	001	
10	GEAR (30T) 23481-286-050	001	
11	GEAR (27T) 23491-374-000	001	
11	GEAR (27T) 23491-374-000	001	
12	SPROCKET (16T) 23801-344-000	001	
13	PLATE 23811-292-000	001	
14	BEARING (20MM) 23931-286-068	001	
15	PIN 24261-283-000	002	
16	WASHER A (25MM) 90451-286-000	003	
17	WASHER (20MM) 90458-292-000	001	
18	WASHER B (25MM) 90461-286-000	001	
19	WASHER, LOCK (25MM) 90462-286-000	001	
20	CIRCLIP (25MM) 90602-259-010	004	

Transmission (page.2)

21	BEARING (5205HS) 91002-286-008	002
22	BEARING (20MM) 91022-286-004	001
22	BEARING (20MM) 91022-286-004	001
23	OIL SEAL (8X34X8) 91203-292-005	001
23	OIL SEAL (8X34X8) 91203-292-005	001
24	OIL SEAL (33X52X7) 91205-286-003	001
25	O-RING (24.5X1.5) 91306-703-000	001
26	BOLT, HEX. (6X8) 92101-06008-0A	002
26	BOLT, HEX. (6X8) 92101-06008-0A	002
26	BOLT, HEX. (6X8) 92101-06008-0A	002

Turn Signals

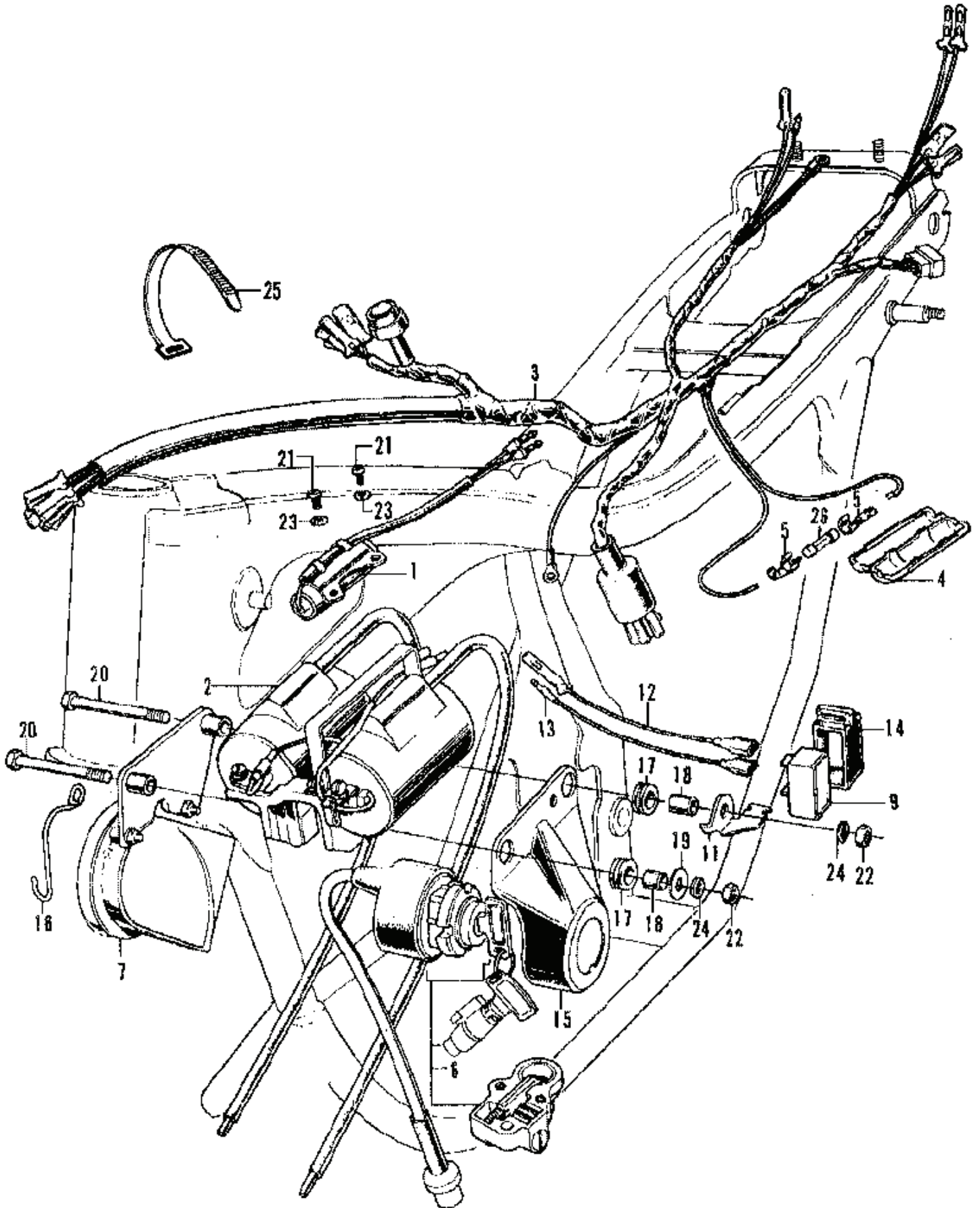


Turn Signals

REF#	PART	#REQ	REMARKS
01	TURN SIGNAL, R. FR. 33400-292-679	002	
01	TURN SIGNAL, R. FR. 33400-292-679	002	
02	BASE, TURN SIGNAL 33401-341-701	004	
02	BASE, TURN SIGNAL 33401-341-701	004	
03	LENS, FR. 33402-268-672	004	
03	LENS, FR. 33402-268-672	004	
04	SOCKET, R. FR. 33410-361-003	002	
05	HOLDER, FR. 33407-284-003	004	
05	HOLDER, FR. 33407-284-003	004	
06	RUBBER 33408-341-701	004	
06	RUBBER 33408-341-701	004	
07	GASKET 33443-268-671	004	
08	TURN SIGNAL, R. FR. 33400-292-679	002	
08	TURN SIGNAL, R. FR. 33400-292-679	002	
08	TURN SIGNAL, R. FR. 33400-292-679	002	
09	SOCKET COMP., L. FR. 33460-361-003	002	
10	STAY, R. RR. *NH1* 33607-286-871B	002	(BLACK)
11	RUBBER B, RR. 33608-286-000	002	
12	RUBBER, RR. 33609-286-000	002	
13	WIRE, RR. 33620-286-670	002	
14	BULB (12V 23W) 34905-268-671	004	
15	BOLT 90154-268-670	002	
16	BOLT, RR. 90155-292-010	002	
17	BOLT, HEX. (6X28) 92000-06028-02	004	
18	SCREW, PAN (5X8) 93500-05008-0A	004	
19	SCREW, OVAL (3X25) 93700-03025-0B	008	
20	NUT, HEX. (6MM) 94001-06200-0S	004	
20	NUT, HEX. (6MM) 94001-06200-0S	004	
20	NUT, HEX. (6MM) 94001-06200-0S	004	
20	NUT, HEX. (6MM) 94001-06200-0S	004	
20	NUT, HEX. (6MM) 94001-06200-0S	004	
20	NUT, HEX. (6MM) 94001-06200-0S	004	
20	NUT, HEX. (6MM) 94001-06200-0S	004	
21	NUT, HEX. (10MM) 94001-10000-0S	002	
22	WASHER, PLAIN (6MM) 94101-06800	008	
22	WASHER, PLAIN (6MM) 94101-06800	008	
22	WASHER, PLAIN (6MM) 94101-06800	008	
23	WASHER, PLAIN (10MM) 94101-10000	002	
24	WASHER, PLAIN (12MM) 94101-12000	002	
25	WASHER (10MM) 94111-10000	002	

Upper Crankcase

REF#	PART	#REQ	REMARKS
01	CRANKCASE (UPPER) 11100-287-120	001	
02	HOLDER 11202-286-000	001	
03	BOLT, CYLINDER STUD 90033-286-020	006	
04	BOLT A, CYL STUD 90034-286-020	002	
05	BOLT, HEX. (8X71) 90083-292-000	004	
06	WASHER (14MM) 90485-035-000	004	
07	PIN, CYLINDER KNOCK 91356-286-000	002	
08	BOLT, HEX. (6X71) 92000-06071	002	
08	BOLT, FLANGE (6X70) 95701-06070-00	002	
08	BOLT, FLANGE (6X70) 95701-06070-00	002	
08	BOLT, FLANGE (6X70) 95701-06070-00	002	
08	BOLT, FLANGE (6X70) 95701-06070-00	002	
09	WASHER, PLAIN (6MM) 94101-06800	002	
09	WASHER, PLAIN (6MM) 94101-06800	002	
09	WASHER, PLAIN (6MM) 94101-06800	002	
10	PIN A, DOWEL (10X14) 94301-10140	004	



Wire Harness / Ignition Coil & Switch

REF#	PART	#REQ	REMARKS
01	CONDENSER 30280-292-672	001	
02	COIL ASSY., IGNITION 30500-312-007	001	
02	COIL ASSY., IGNITION 30500-312-007	001	
03	WIRE HARNESS 32100-344-672	001	
04	CASE, FUSE CONNECTOR 32111-230-000	001	
05	CONNECTOR, FUSE 32112-230-000	002	
06	LOCK SET 35011-346-670	001	
07	HORN ASSY. 38100-310-014	001	
09	RELAY, TURN SIGNAL 38301-KJ6-743	001	
09	RELAY, TURN SIGNAL 38301-KJ6-743	001	
09	RELAY, TURN SIGNAL 38301-KJ6-743	001	
09	RELAY, TURN SIGNAL 38301-KJ6-743	001	
11	STAY 38301-292-672	001	
12	SUB-WIRE A 38304-243-670	001	
13	SUB-WIRE B 38305-243-670	001	
14	SUSPENSION 38306-292-670	001	
15	BRACKET *NH1* 50375-292-020B	001	(BLACK)
16	CLAMP, TACH CBL 50462-286-000	001	
17	RUBBER, RR. 80101-283-000	002	
18	COLLAR 84706-286-000	002	
19	WASHER (18MM) 90581-831-650	002	
19	WASHER (18MM) 90581-831-650	002	
20	BOLT, HEX. (6X78) 92000-06078	002	
21	SCREW, PAN (5X8) 93500-05008-0A	002	
22	NUT, HEX. (6MM) 94001-06200-0S	002	
22	NUT, HEX. (6MM) 94001-06200-0S	002	
22	NUT, HEX. (6MM) 94001-06200-0S	002	
22	NUT, HEX. (6MM) 94001-06200-0S	002	
22	NUT, HEX. (6MM) 94001-06200-0S	002	
22	NUT, HEX. (6MM) 94001-06200-0S	002	
22	NUT, HEX. (6MM) 94001-06200-0S	002	
22	NUT, HEX. (6MM) 94001-06200-0S	002	
23	WASHER, SPRING (5MM) 94111-05000	002	
24	WASHER, SPRING (6MM) 94111-06000	002	
25	BAND B3, WIRE 95014-62300	002	
26	FUSE (15A) 98200-11500	004	

Notes

Notes

Notes

Notes

Notes

Notes